



1965 CORVAIR  
GREENBRIER

## NEW GREENBRIER— THE SPORTS WAGON WITH AT LEAST NINE LIVES

What is a Greenbrier? Is it a family sedan / a cargo hauler / a nine-passenger wagon / a family camper / a delivery truck that doubles in brass at the country club? Sure it is. It's also a mobile office / a comfortable sleeper / a lumber carrier / a vacation on wheels / a rolling motel / a surfer's delight / whatever you make it. Seemingly, its only limit to versatility is the owner's imagination.

What is it that makes Greenbrier a fond favorite of the nomad-minded? Perhaps over the past four years it's been the beautifully functional design. Take the shape, for example. How *else* would you build so efficient a car / camper / cargo hauler . . . and all. For 1965, there are some nice things new about Greenbrier that make it even more desirable. New nameplate with "Greenbrier" spelled out in bold letters identifies it for your friends . . . in case they couldn't tell. Inside, regular Greenbrier model features a dark brown pattern cloth with a smart geometric design, while Greenbrier Deluxe model again uses the all-vinyl interior with an abundance of extra-thick vinyl for a luxury touch. A full circle bright metal horn ring is included with the Deluxe model as well.

Everything else, though, we just about left alone because that's the way sports wagon fans liked it. That super-efficient shape just stores cargo and kids and people and things like they all were going out of style. Over 175-cu.-ft. worth with both second and third seats removed; almost 10 feet of load length behind front seat. The supple all-independent four-wheel suspension cushions the ride like a limousine, yet literally "walks" over bumps and holes like a mountain goat. The whole effect is one of extreme confidence in the vehicle taking you where you want to go.

Finally, you'll like those Corvair Greenbrier features that have endeared it to so many owners—rear engine in the standard 95-hp version (or you can specify the 110-hp design), extra-wide-opening front doors, side and rear doors that will open flat against the car and three transmissions: standard 3-Speed or you can order Powerglide automatic or 4-Speed Synchro-Mesh.

Camping your favorite dish? Then you'll like the Custom Camping equipment and other accessories that you can order through your Chevrolet dealer.





**1 FAMILY ALL-PURPOSE**  
Got lots of kids? Need a wagon to take the family places? And want it with room *inside* to carry things as well? Look no farther than a 1965 Greenbrier.

**2 CAMPER EXTRAORDINAIRE**  
Travel bug bit you but tenting-out problems keeping you at home? Then look into a camper-equipped Greenbrier. Just about all the comforts of home.

**3 MOBILE OFFICE**  
Do a lot of jobs on the go and need a versatile, roomy, mobile office? How about ordering a Greenbrier with a built-in table? Go from site to site in comfort.

**4 BUSINESS CARRIER**  
Up to nine people can ride in foam-cushioned chair-high comfort in a '65 Greenbrier. For small businesses, hospitals and other firms requiring a passenger carrier, this is it.

**5 PASSENGER BUS**  
Not much room left in ordinary vehicles when you load 'em up with nine people. With Greenbrier, there's more room behind the third seat to fit plenty of luggage.

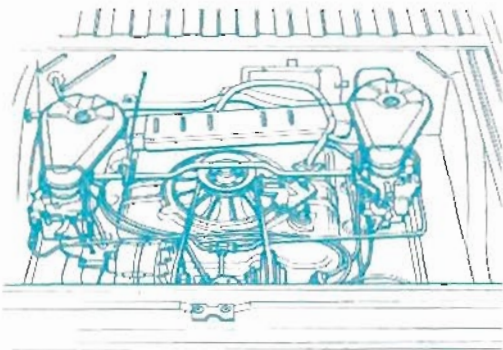
**6 LOAD CARRIER**  
Greenbrier does beautiful trucking duty. Standard tires carry generous payload; specify the heavy-duty tires for maximum payload capacity.

**7 OFF-ROAD DANDY**  
Just point your Greenbrier where you want to go, right up to your job. Superb rear-engine traction and 4-wheel independent suspension should get you there in style and comfort.

**8 BUSINESS DELIVERY**  
Those wide-opening side and rear double doors (even left-hand side doors can be ordered) make deliveries an easy proposition. Greenbrier's easy ride protects cargo, too.

**9 SPECIALIZED DUTY**  
Bands to bashes, surfers to beach—you name it and Greenbrier will swallow up the unusual things you want to take in cavernous fashion. Got the idea now?

Covered in the illustrations and descriptions in this catalog are some of the extra-cost Options and Custom Features for Greenbrier. A more complete list appears on the back cover.



## REAR-ENGINE DESIGN BENEFITS

Engine location puts the driving weight over the rear wheels and allows plenty of space up front. Air-cooled opposed design does away with radiator, hoses, connections and antifreeze. Hinged door in cargo floor makes access to spark plugs, Powerglide fluid level and other routine service items extra easy. Hinged outside rear panel permits easy check of engine oil. You get the 95-hp Turbo-Air 164 as standard or you can specify the 110-hp Turbo-Air 164.

## SPECIFICATIONS

### REGULAR GREENBRIER BODY

Van-type fully unitized body welded to form an integrated unit of exceptional strength and rigidity with large load-carrying capacity. Double-walled construction used extensively in front end, doors and body shell. Fully sealed and insulated against wind, dust, water and noise. High-level ventilation, parallel-action electric windshield wipers, single-key lock system, friction-type ventipanes. Full-view instrument panel including speedometer and odometer, fuel gauge plus engine temperature—oil pressure and generator—fan warning lights, high beam indicator and turn signal indicators. Convenient glove compartment, ashtray in instrument panel, radio speaker grille in top of instrument panel. Foam-cushioned full-width seat cushions, dual-spoke steering wheel with horn button, adjustable front seat with adjustable backrest. Full-width charcoal color ribbed rubber floor covering and cargo area floor mat. Left-hand sun visor, rheostat-controlled instrument panel lights and interior light by switch on instrument panel, two color-keyed front seat belts.

### SUSPENSION

Four-wheel independent suspension. Spherical joint independent front suspension. Swing-axle rear suspension with universal joint attachment to each axle permitting independent movement of each wheel. Coil springs with concentrically mounted shock absorbers. All attachment points are rubber bushed to help prevent transfer of noise to body. Built-in leveling action.

### STEERING

Balanced system with relay-type linkage and low-friction Ball-Race steering gear. Overall ratio, 23.0:1; steering wheel diameter, 17".

### WHEELS—TIRES—BRAKES

7.00 x 14 black highway rayon tires standard. Other sizes available. 5.0"-wide rim wheels with brake cooling slots.

Safety-Master self-adjusting brakes; drum diameter, 11". Total lining area, 168.7 sq. in. Braking distribution: front 55.9%, rear 44.1%. Molded bonded linings. Parking brake operates on rear wheels.

### GREENBRIER DELUXE FEATURES

(Equipment in addition to or replacing standard Greenbrier items.) Bright glove box door trim panel, chrome front and rear bumpers and hubcaps. Cigarette lighter. Front and rear dome lamps, red plastic inserts in taillight units, right-hand sun visor. Stainless steel windshield trim, vinyl spare tire cover, vinyl headlining panels. Front armrests, ashtray on back of front seat backrest. Two-tone steering wheel with horn ring, vinyl seat upholstery, vinyl-coated rubber floor covering, vinyl trim on doors and sidewalls. Four interior colors (fawn, red, green, turquoise) keyed to exterior paint choice; additional 1/4" foam pad for seat backrest.

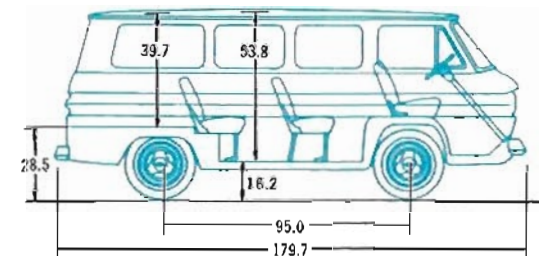
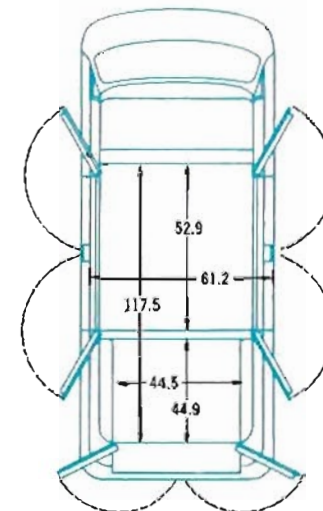
### EXTRA-COST OPTIONS TO PERSONALIZE YOUR GREENBRIER

Left-hand side doors, forced-air or aircraft-type gasoline heater, outside rearview mirror, radio and antenna. Custom Deluxe seat belts with retractors, third seat (includes arm rests for Greenbrier Deluxe), 2-speed windshield wipers and washer, Positioner rear axle, heavy-duty front springs and shock absorbers, larger capacity tires. Oil-bath air cleaner, Delcotron generator (12-47 ampere), 110-hp Turbo-Air 164 engine, 4-Speed Synchro-Mesh and Powerglide automatic transmissions.

### ADDITIONAL EXTRA-COST CUSTOM FEATURE ACCESSORIES

Camper unit, locking gas tank cap, roof luggage carrier, wheel covers, fire extinguisher, rain deflectors, window screens, car top sleeper with ladder, 2' x 4' inside table, pop-up tent, traffic warning flasher switch, accessories wiring harness.

## DIMENSIONS



Check with your Chevrolet dealer for other extra-cost Options and Custom Features for Greenbrier and Greenbrier Deluxe.

All illustrations and specifications contained in this literature are based on the latest product information available at the time of publication approval. The right is reserved to make changes at any time without notice in prices, colors, materials, equipment, specifications and models, and also to discontinue models. Chevrolet Motor Division, General Motors Corporation, Detroit, Michigan 48202.