

1965-64-63-62-61 CORVAIR TRUCK

MODEL IDENTIFICATION

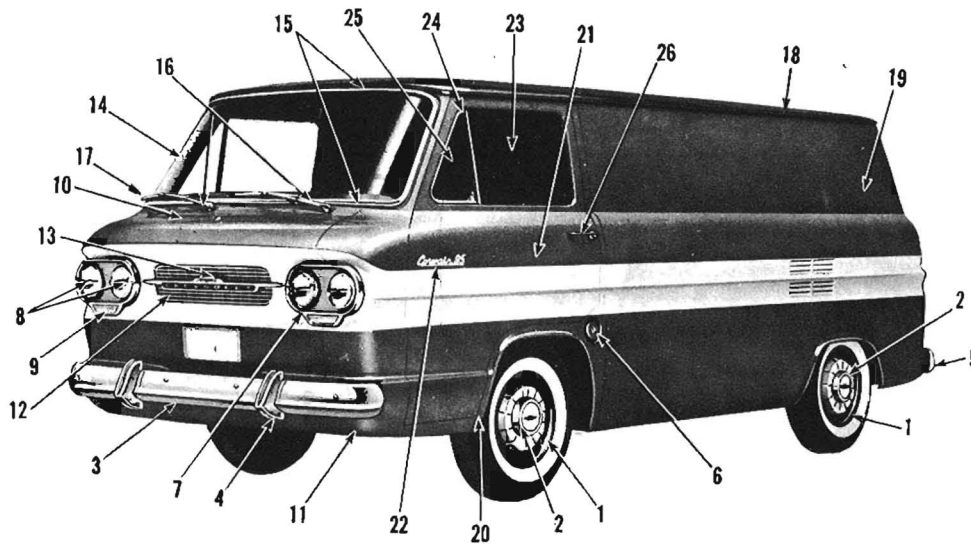
SERIAL NUMBER: On a plate located on the left front lock pillar.
ENGINE NUMBER: Stamped on top of engine block forward of the oil filter adapter.
BODY NUMBERS: On a plate attached to left side of dash panel in front of driver.

WHEEL ALIGNMENT & STEERING GEOMETRY

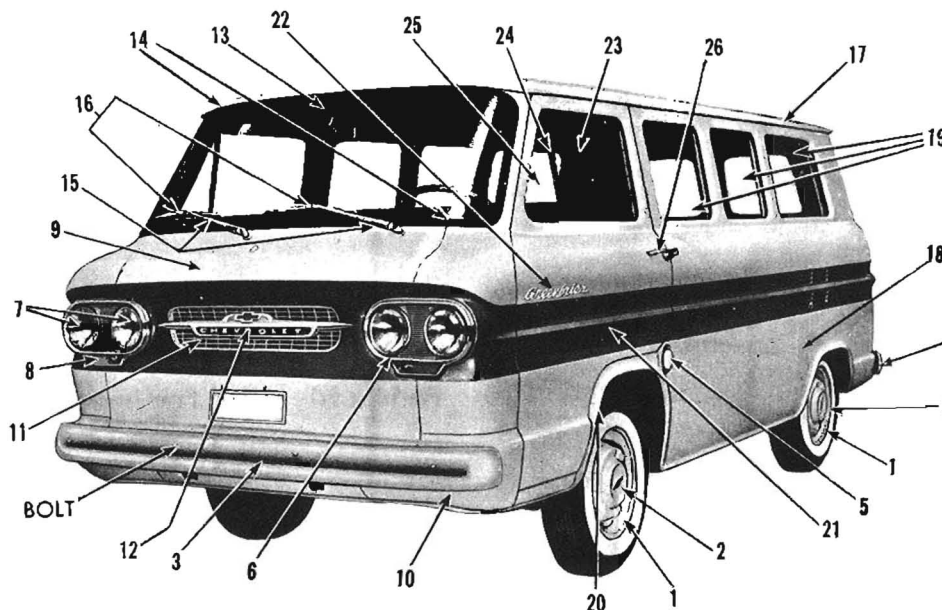
FRONT WHEELS:
 TOE-IN 1/16 to 3/16 inch.
 CAMBER 1/4 degree, plus or minus 1/4 degree.
 CASTER 1/2 degrees, plus or minus 1/4 degree.
 STEERING AXIS INCLINATION 7/4 degrees.
 WHEELBASE 95 inches.

REAR WHEELS:
 TOE-IN 1/8 to 3/8 inch.
 CAMBER 1 degree positive, plus or minus 1/2 degree.
 CASTER 1 degree negative, plus or minus 1/2 degree.

PANEL DELIVERY



- 1 Wheel
- 2 cover, disc
- 3 Front bumper face bar
- 4 guard
- 5 Rear bumper face bar
- 6 Gas tank filler cap
- 7 Headlamp door
- 8 seal beam
- 9 Parking lamp lens
- 10 Front panel, center
- 11-side
- 12 grille
- 13-ornament & name plate
- 14 windshield glass
- 15-moulding, reveal
- 16 wiper arm
- 17-blade
- 18 Roof panel
- 19 Side assy.
- 20 Rocker panel, below front door
- 21 Door, front
- 22 name plate
- 23 glass
- 24 ventilator assy.
- 25-glass
- 26 handle, outside



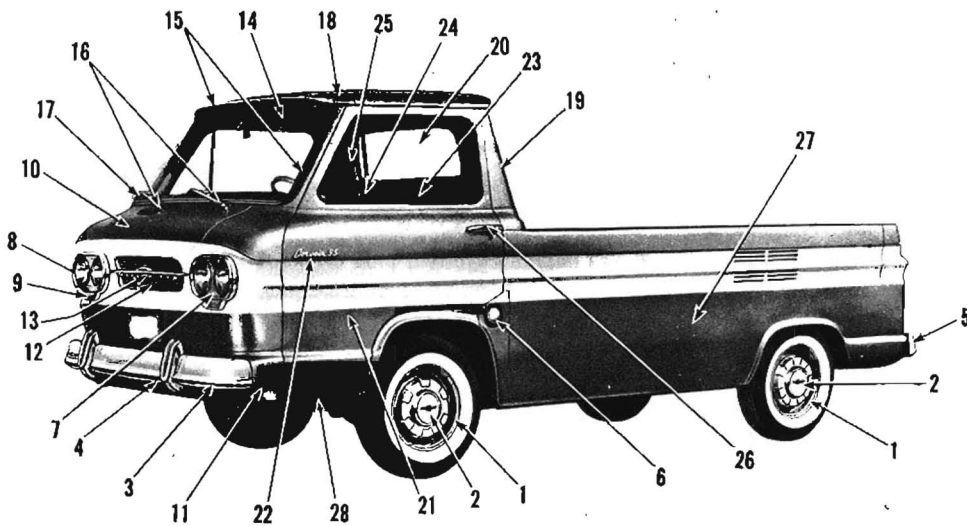
GREENBRIER BUS

- 1 Wheel
- 2 cover, disc
- 3 Front bumper face bar
- 4 Rear bumper face bar
- 5 Gas tank filler cap
- 6 Headlamp door
- 7 seal beam
- 8 Parking lamp lens
- 9 Front panel, center
- 10-side
- 11 grille
- 12-ornament & name plate
- 13 windshield glass
- 14-moulding, reveal
- 15 wiper arm
- 16-blade
- 17 Roof panel
- 18 Side assy.
- 19 glass
- 20 Rocker panel, below front door
- 21 Door, front
- 22 name plate, Greenbrier
- 23 glass
- 24 ventilator assy.
- 25-glass
- 26 handle, outside

1965-64-63-62-61 CORVAIR TRUCK

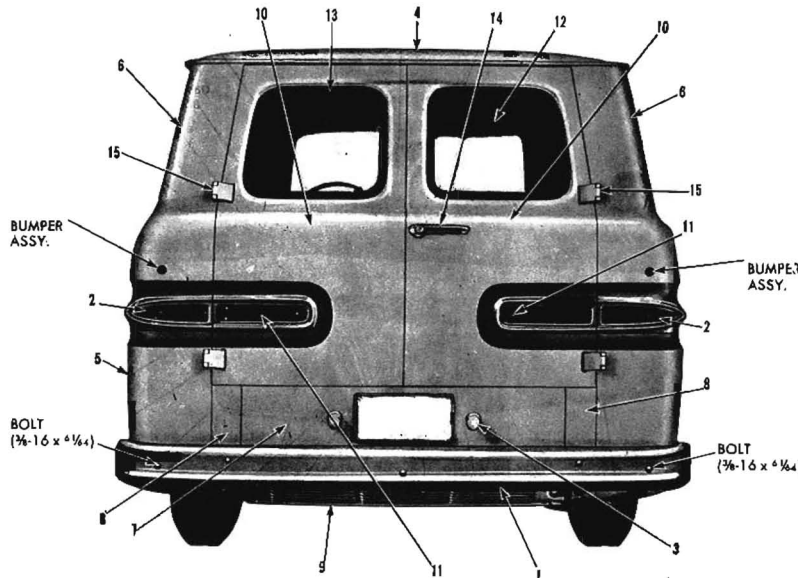
PICK-UP

- 1 Wheel
- 2 cover, disc
- 3 Front bumper face bar
- 4 guard
- 5 Rear bumper face bar
- 6 Gas tank filler cap
- 7 Headlamp door
- 8 seal beam
- 9 Parking lamp lens
- 10 Front panel, center
- 11-side
- 12 grille
- 13 . . .-ornament & name plate
- 14 windshield glass
- 15-moulding, reveal
- 16 wiper arm
- 17 . . .-blade
- 18 Roof panel
- 19 Back panel
- 20 window glass
- 21 Door, front
- 22 name plate
- 23 glass
- 24 ventilator assy.
- 25-glass
- 26 handle, outside
- 27 Side assy.
- 28 Rocker panel, below front door



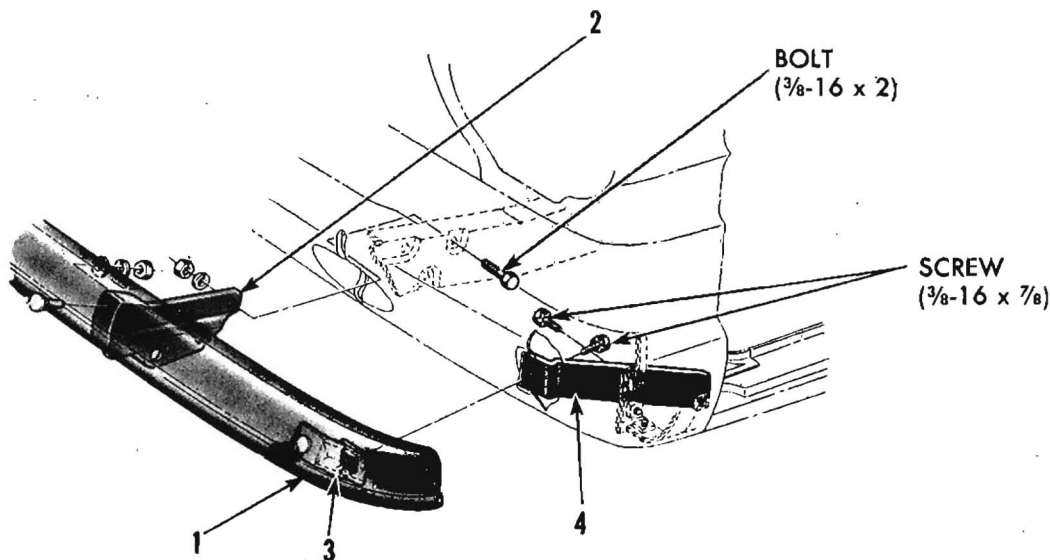
PANEL DELIVERY & BUS REAR END

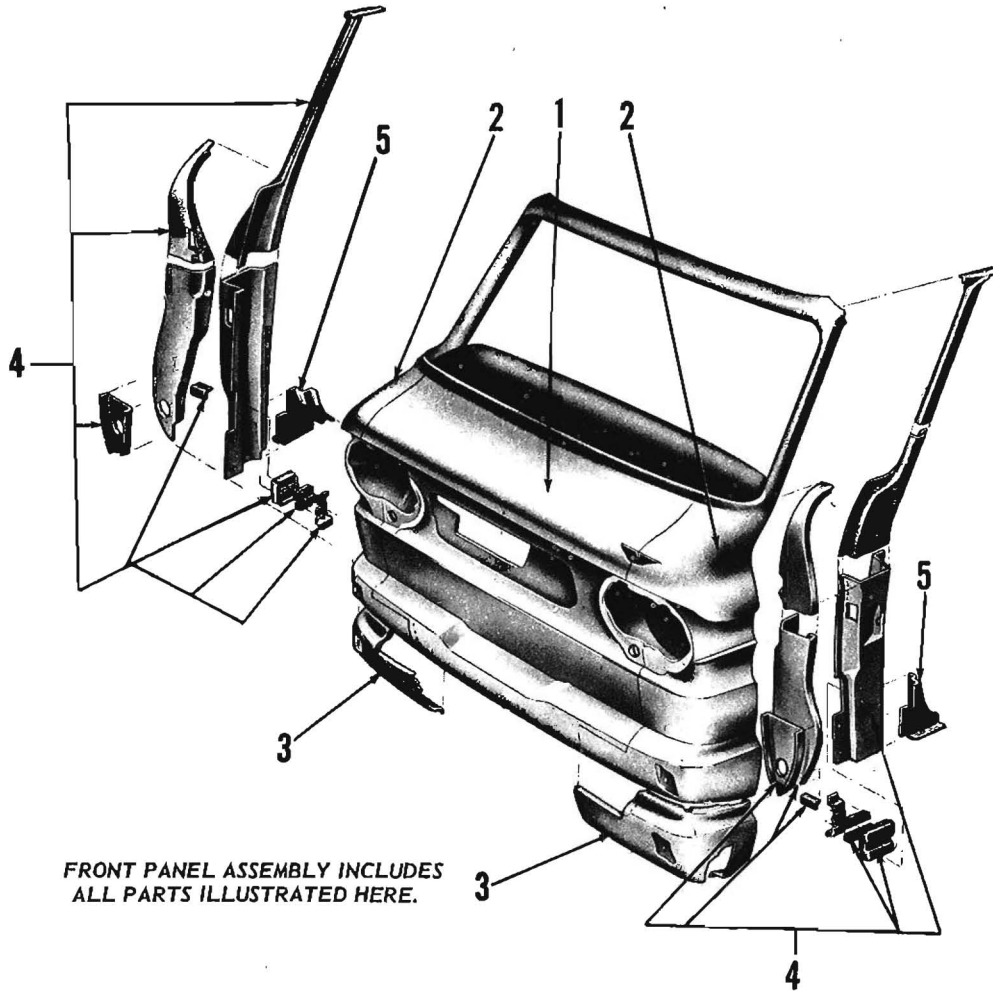
- 1 Rear bumper face bar
- 2 Tail lamp
- 3 License lamp
- 4 Roof panel
- 5 Side panel, outer rear lower
- 6-upper
- 7 Rear body panel, lid engine access
- 8-filler panel, R-L of lid
- 9-grille, air duct
- 10 Door, rear loading
- 11 reflector assy.
- 12 glass
- 13 . . -rubber channel
- 14 handle, outside
- 15 hinge assy.



FRONT BUMPER

- 1 Front bumper face bar
- 2 back bar, R-L
- 3 bracket, R-L
- 4 brace to end, R-L

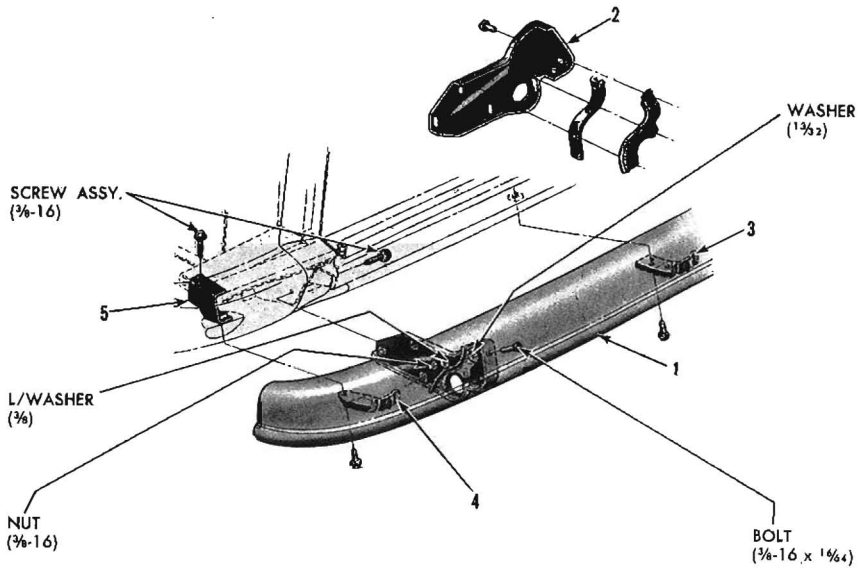




FRONT PANEL

- 1 Front panel, center
- 2-R-L, side upper
- 3-lower
- 4 hinge pillar
- 5 . . . -filler to rocker panel

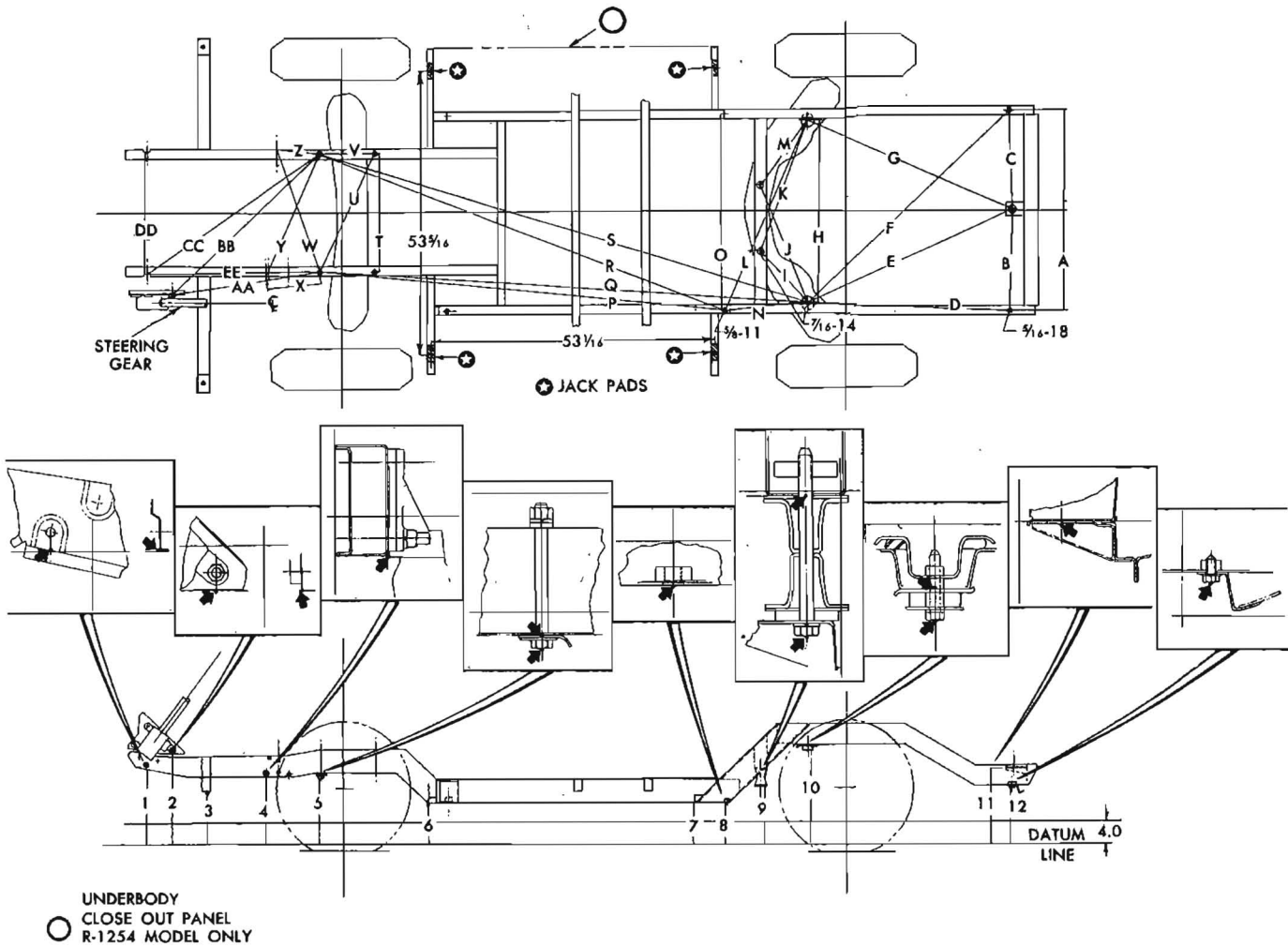
FRONT PANEL ASSEMBLY INCLUDES ALL PARTS ILLUSTRATED HERE.



REAR BUMPER

- 1 Rear bumper face bar
- 2 back bar, R-L
- 3 bracket, center
- 4 -side R-L
- 5 brace to end

1965-64-63-62-61 CORVAIR TRUCK



UNDERBODY DIAGRAM & DIMENSIONS

HORIZONTAL DIMENSIONS

Dimension	Location
A. $37\frac{5}{16}$ "	Center of engine air outer grille bracket lower mounting bolt.
B. 19"	Center of engine air outer grille bracket lower mounting bolt to engine rear mounting bracket at center of mounting hole.
C. $18\frac{3}{8}$ "	
D. $38\frac{7}{32}$ "	Center of rear suspension outer mounting bolt to center of engine air outer grille bracket lower mounting bolt.
F. $52\frac{3}{8}$ "	
E. $42\frac{11}{16}$ "	Engine rear mounting bracket at center of hole to center of rear suspension outer mounting bolt.
G. $42\frac{7}{16}$ "	
H. $34\frac{5}{16}$ "	Center of rear suspension outer mounting bolts.
I. $12\frac{5}{32}$ "	Center of rear suspension outer mounting bolt to inner mounting bolt.
J. $24\frac{11}{32}$ "	
K. $26\frac{11}{16}$ "	
M. $14\frac{11}{16}$ "	
N. $15\frac{5}{16}$ "	Center of rear suspension outer mounting bolt to center of rear shipping bolt hole.
L. $38\frac{11}{16}$ "	
O. $36\frac{13}{16}$ "	Center of rear shipping bolt holes.
P. 77"	Center of rear shipping bolt hole to center of front suspension forward mounting bolt.
R. $82\frac{1}{4}$ "	

1965-64-63-62-61 CORVAIR TRUCK

Q. $92\frac{1}{8}$ "	Center of rear suspension outer mounting bolt to center of front suspension forward mounting bolt.
S. $96\frac{3}{32}$ "	
T. $22\frac{23}{32}$ "	Center of front suspension fore and aft mounting bolts.
U. $24\frac{5}{16}$ "	
V. $10\frac{9}{32}$ "	
X. $10\frac{1}{4}$ "	Center of front suspension forward mounting bolt to a point on the edge of the frame directly under the center of the forward mounting bolt of bracket—steering relay and connecting rod arm.
Y. $25\frac{5}{16}$ "	
W. $24\frac{25}{32}$ "	Center of front suspension forward mounting bolt to a point on the edge of the frame directly under the center of the lower mounting bolt of lever assembly—steering idler.
Z. $8\frac{5}{32}$ "	
A-A. $28\frac{3}{8}$ "	Center of front suspension forward mounting bolt to a point on the edge of the support—toe panel directly under the rear mounting bolt of the gear box (steering gear assembly).
B-B. $38\frac{23}{32}$ "	
C-C. $40\frac{7}{32}$ "	Center of front suspension forward mounting bolt to a point on the edge of the frame directly beneath the center of the center mounting hole of the front bumper bracket.
E-E. $32\frac{31}{32}$ "	
D-D. $23\frac{5}{16}$ "	A point on the edge of the frame directly beneath the center of the center mounting hole of the front bumper bracket.

VERTICAL DIMENSIONS

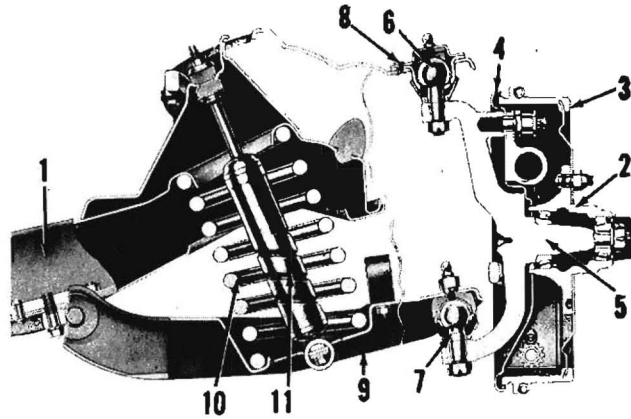
Dimension	Location
1. $14\frac{1}{16}$ "	Lower surface of frame beneath the center of the center mounting hole for the front bumper bracket.
2. $16\frac{7}{8}$ "	Lower surface of support—toe panel directly beneath the rear steering gear assembly mounting hole.
3. $10\frac{15}{16}$ "	The farthest outboard surface of outrigger #1.
4. $12\frac{9}{16}$ "	Lower surface of frame directly beneath the center of the forward mounting hole of bracket steering relay and the forward mounting hole of lever assembly—steering idler.
5. $13\frac{1}{16}$ "	Lower edge of rail at front suspension attaching bolt holes.
5*. $12\frac{15}{32}$ "	Center of lower surface of front suspension crossmember attaching bolt heads.
6. $8\frac{15}{32}$ "	Lower surface of outrigger #2 directly beneath the brace used for jacking reinforcement.
6#. $8\frac{13}{32}$ "	Lower surface of the underbody panel in the area of the rear jack hole.
7. $8\frac{15}{32}$ "	Lower surface of outrigger #4 directly beneath the brace used for jacking reinforcement.
7#. $8\frac{13}{32}$ "	Lower surface of the underbody panel extension in the area of the front jack hole.
8. $7\frac{1}{2}$ "	Body rear tie down strap location, bottom surface of rail.
9. $13\frac{27}{32}$ "	Center of rear suspension inner mounting bolt holes.
9#. $9\frac{15}{32}$ "	Center of rear suspension inner mounting bolt head.
10. $16\frac{3}{4}$ "	Center of rear suspension outer mounting bolt holes.
10*. $14\frac{15}{16}$ "	Center of rear suspension outer mounting bolt heads.
11. $13\frac{29}{32}$ "	Engine rear mounting crossmember bracket at center of mounting hole.
12. $10\frac{3}{16}$ "	Center of engine air outer grille bracket mounting bolt head.

*Suspension installed.

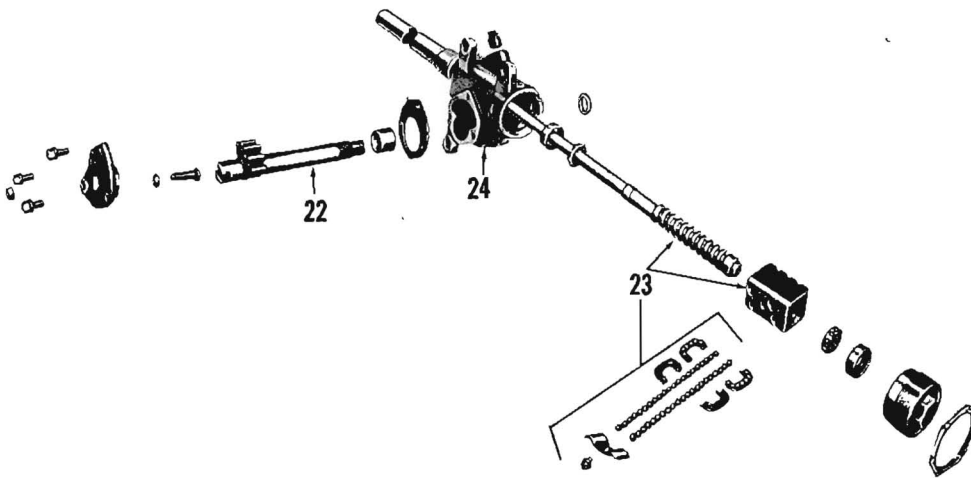
#Underbody panel on the R. H. side of R-1254 used to complete box section under ramp door.

Tolerance for horizontal and vertical dimensions to be $\pm\frac{1}{16}$ ".

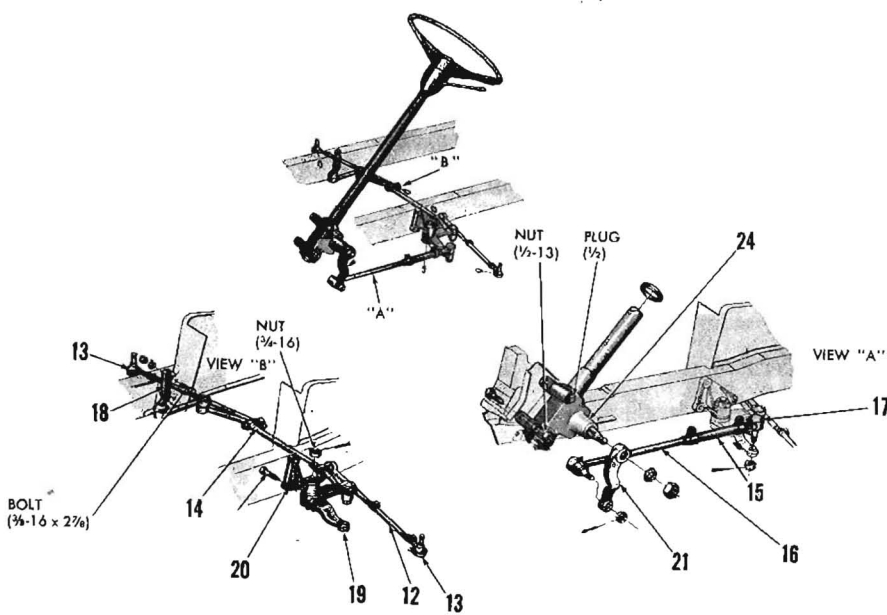
1965-64-63-62-61 CORVAIR TRUCK



FRONT SUSPENSION



STEERING GEAR



STEERING LINKAGE

FRONT SUSPENSION & STEERING

- 1 Crossmember
- 2 Hub assy.
- 3 Brake drum
- 4 support plate
- 5 Steering knuckle
- 6 ball joint, upper
- 7-lower
- 8 Control arm, upper
- 9-lower
- 10 Spring
- 11 Shock absorber
- 12 Tie rod, R-L, adjusting sleeve
- 13-end
- 14-center (relay rod)
- 15 Drag link, adjusting sleeve
- 16-end, long
- 17-short
- 18 Idler arm, right w/bracket
- 19-left (relay arm)
- 20-bracket
- 21 Pitman arm
- 22 shaft
- 23 Main shaft w/ball-nut
- 24 Housing