

CHEVROLET - CENTRAL OFFICE

DIVISION OF GENERAL MOTORS CORPORATION
DETROIT 2, MICHIGAN



TECHNICAL SERVICE BULLETIN

Technical Service Department



SUBJECT: HARDSTARTING - 1961 CORVAIR AND
CORVAIR "95" ENGINE - HOT WEATHER
OPERATION

BULLETIN NO. DR # 495

SECTION VI

TO: ALL CHEVROLET DEALERS

DATE August 30, 1961

The following procedures will minimize hot engine restart on a Corvair or Corvair "95" during extreme hot weather operation.

1. To start a hot engine; (a) slowly depress accelerator pedal half way down, (b) turn ignition key to "start" position and crank until engine fires on all cylinders, (c) release ignition key to "on" position and accelerator to idle.

If engine fails to start in 10 seconds or less using the above procedures, do not release accelerator pedal but push it slowly all the way to the floor and continue cranking until engine fires on all cylinders. Do not operate starter more than 30 seconds continuously without a brief pause to allow starting motor to cool off. If it is necessary to wait for starter to cool, do not release accelerator pedal as additional "pumping" will only aggravate the hard starting condition.

2. Check and adjust carburetor synchronization and fuel mixture as outlined in the 1961 Corvair Shop Manual, page 9-4, Carburetor Synchronization. On page 9-5, paragraph C, the clearance between fast idle speed screws and pad on throttle levers should be .045" for both manual and automatic transmissions.
3. Check adjustment of cooling damper doors as shown on page 6A 12-14 in the 1961 Corvair Shop Manual.
4. Block off the two engine air recirculation slots using the appropriate method as shown below. This will reduce the engine compartment temperature. NOTE: Cars with air conditioning will already have slots covered.
 - A. On engines not equipped with a 60° baffle over the recirculation slots, install covers (Part #3805294) on both slots. Use 10-24 x 7/16" self tapping screws, pointing cover tabs down and to the rear as shown in Figure 1. Tabs are designed to hold damper doors open approximately 1 1/4 inches.

- B. On engines equipped with 60° baffles over the slots (Figure 2), bend the baffles to a closed position. This will seal off the slots sufficiently so that a cover is not required.

When cooler weather is again encountered in the fall or winter season, the slots should be opened up again to reduce the possibility of carburetor icing. Remove covers or bend baffles back to a 60° angle as required.

PARTS DATA

Required only on engines without 60° baffles.

<u>PART NO.</u>	<u>NO. REQUIRED</u>	<u>DESCRIPTION</u>
3805294	2	Cover Assembly
	6	10-24 x 7/16" Self Tapping Screws

Director, Technical Service Department

JCP:jg

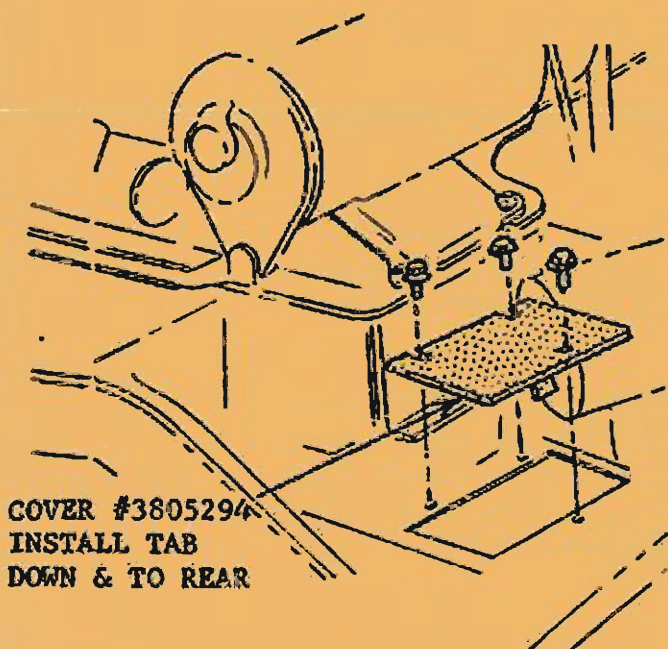


FIGURE 1 - SUMMER INSTALLATION

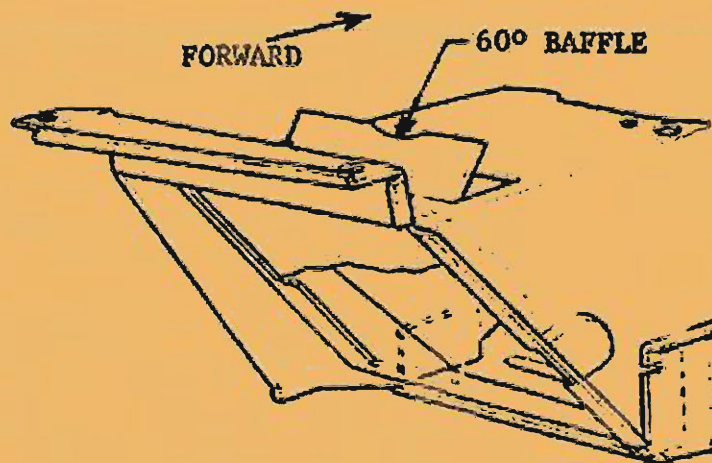


FIGURE 2 - COOLING DUCT ASSEMBLY R.H.