

CHEVROLET—CENTRAL OFFICE

DIVISION OF GENERAL MOTORS CORPORATION
DETROIT 2, MICHIGAN



TECHNICAL SERVICE BULLETIN

Technical Service Department



SUBJECT: HOT WEATHER IDLE - 1961-62 CORVAIR
AND CORVAIR "95"

BULLETIN NO. DR #546

SECTION VIIm

TO: ALL CHEVROLET DEALERS

DATE July 10, 1962

Corvair or Corvair "95" carburetors may require additional internal venting to improve engine idle and prevent stalling immediately after a hot start or when encountering long idle periods in slow traffic.

If engine stalling is evident during extremely hot weather and under these conditions, additional internal venting may be provided as follows:

1. Remove bowl covers from both carburetors.
2. Invert bowl covers and remove float, float needle and bowl cover gaskets.
3. Drill two (2) 3/16" diameter holes in each bowl cover located as shown in Figure 1 on the reverse side. Holes must be drilled straight through to break out inside the air horn as shown in Figure 2.
4. Clean out all chips, remove burrs and reassemble the carburetors.

FLAT RATE

1.0 Hr.	Modify two (2) Carburetors Corvair Models
1.2 Hrs.	Modify two (2) Carburetors Corvair "95" Models

Director, Technical Service Department

TRP/dz

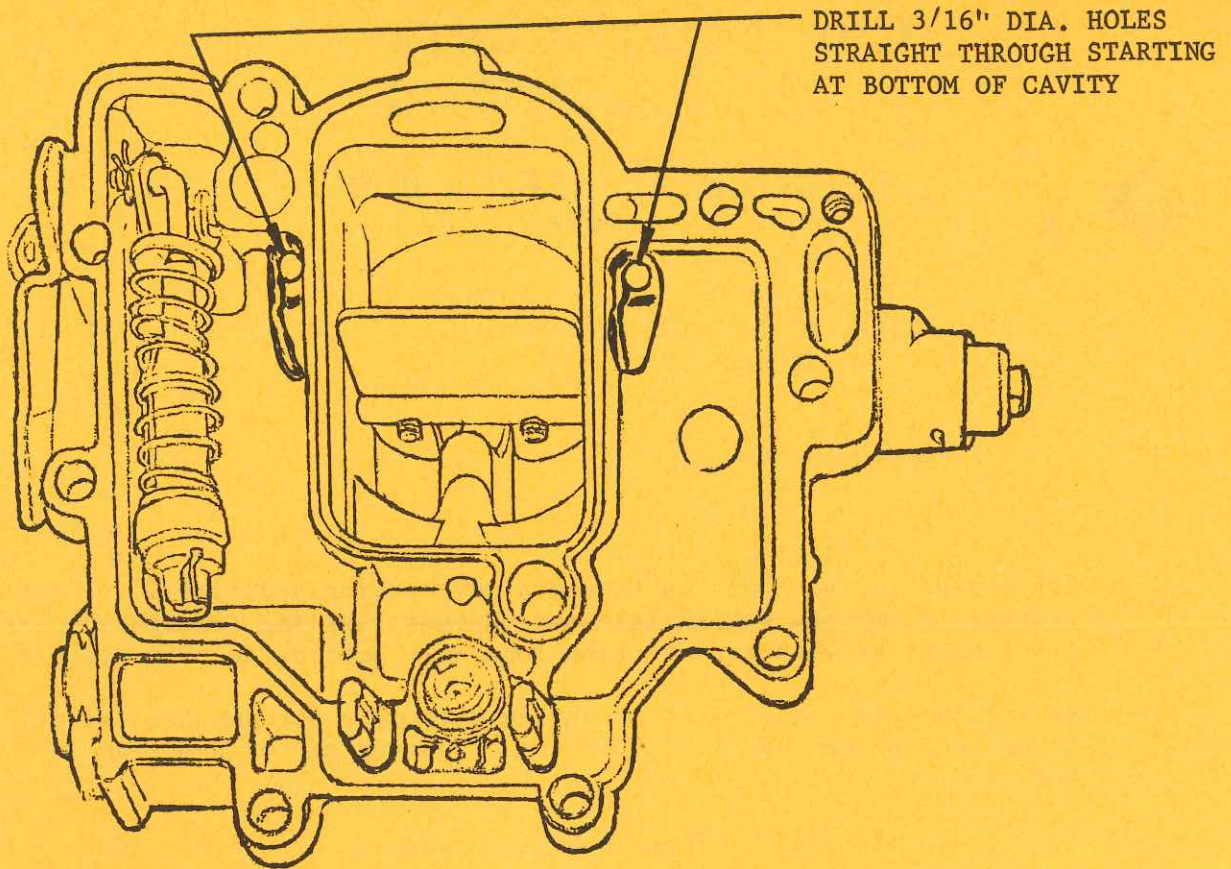


FIGURE 1

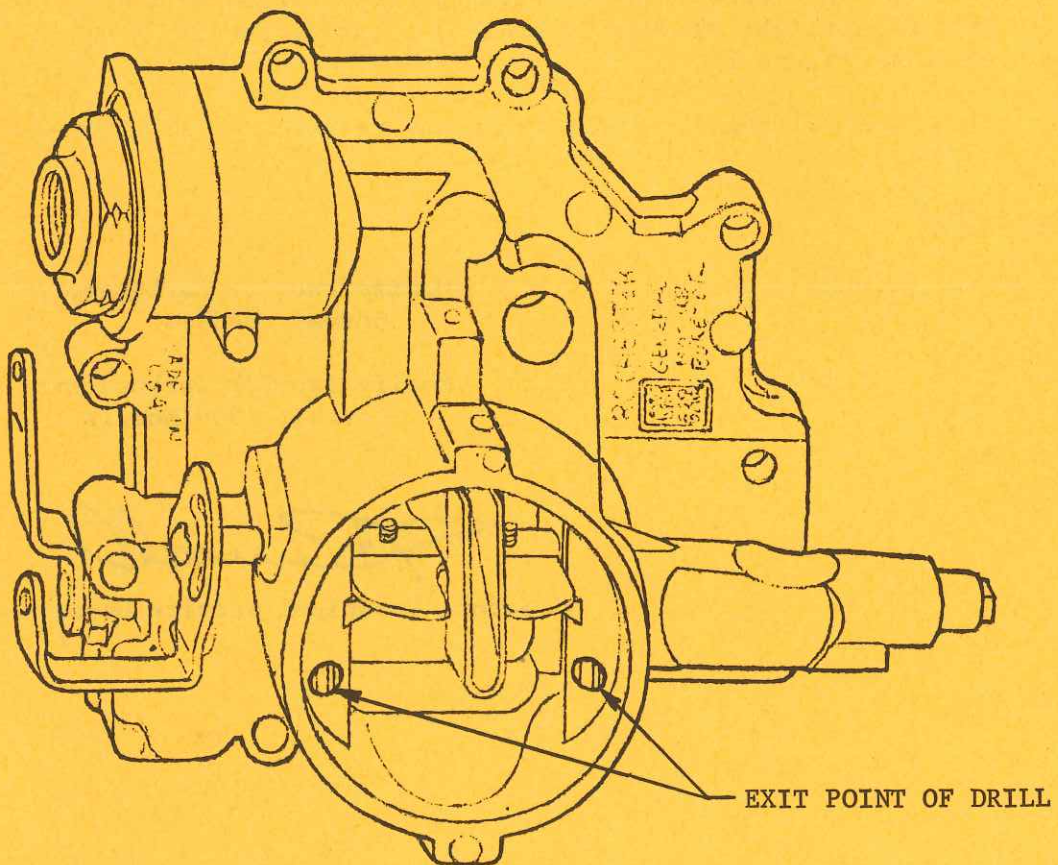


FIGURE 2