

TWO DOOR-27 MODELS

INDEX

	<i>Page</i>		<i>Page</i>
General Information.....	10-51	Seats.....	10-59
Service Operations.....	10-51	Front Seat Back.....	10-59
Doors and Center Pillars.....	10-51	Rear Seat Cushion.....	10-59
Front Window Assembly.....	10-51	Rear Seat Back.....	10-59
Front Door Window Regulator.....	10-53	Tilting or Full-Folding Seat Back.....	10-59
Rear Quarters.....	10-53	Tilting or Full-Folding Seat Back Hinges..	10-59
Rear Quarter Trim Assembly.....	10-53	Tilting or Full-Folding Seat Back Mouldings	10-59
Rear Quarter Inner Panel Water Deflector.	10-53	Rear Seat Compartment Trim.....	10-60
Rear Quarter Window Glass Run Channel..	10-53	Rear Seat Compartment Front Trim	
Rear Quarter Dropping Window Assembly		and Insulation.....	10-60
and/or Lower Sash Channel Cam.....	10-54	Rear Seat Compartment Rear Trim	
Rear Quarter Window Adjustments.....	10-54	and Insulation.....	10-60
Rear Quarter Window Regulator.....	10-54	Rear Seat Compartment Wheel House Trim.	10-60
Rear Quarter Window Front Guide.....	10-54	Body Exterior Mouldings.....	10-60
Rear Quarter Stationary Window.....	10-54	All 27 Models.....	10-60
Back Window.....	10-55	Rear Quarter Front Reveal Mouldings.....	10-60
Back Window Assembly.....	10-55	Rear Quarter Window Upper Reveal	
Back Window Reveal Moulding.....	10-55	Moulding.....	10-60
Back Window Side Reveal Moulding—		527 Models.....	10-61
727 Models.....	10-55	Rear Quarter Window Front Vertical Scalp	
Back Window Upper Reveal Moulding—		and Upper Reveal Mouldings.....	10-61
727 Models.....	10-56	727 Models.....	10-61
Back Window Lower Reveal Moulding—		Rear Quarter Window Front Vertical Scalp	
727 Models.....	10-56	and Upper Reveal Mouldings.....	10-61
Back Window—527 and 727 Models.....	10-56	Roof Drip Moulding Scalp.....	10-61
Headlining.....	10-57	927 Models.....	10-61
		Door Window Frame Scalp Moulding.....	10-61
		Door Window Frame Vertical	
		Scalp Moulding.....	10-61
		Rocker Panel Outer Moulding.....	10-61
		Special Tools.....	10-70

GENERAL INFORMATION

The service information and procedures outlined for four door models also apply, in general, to two door models except for certain components peculiar to

two door design which are serviced as described in the following pages. For Body Views see Figures 10-88 and 10-89.

SERVICE OPERATIONS

DOORS AND CENTER PILLARS

FRONT WINDOW ASSEMBLY

Removal and Installation

Perform removal and installation as outlined for four door models except for following differences:

On two-door styles, remove door inner panel cam. To correct a condition where the glass is cocked in the run channels, loosen door inner panel cam attaching screws. Adjust cam as required and tighten screws.

FRONT DOOR INNER PANEL CAM ASSEMBLY

Removal and Installation

1. Raise door window. Remove door trim assembly and detach inner panel water deflector sufficiently to expose inner panel cam attaching screws (see Figure 10-90).
2. Remove cam attaching screws; then disengage cam from window regulator arm roller and remove from door.
3. To install, reverse removal procedure. Prior to in-

TWO DOOR-27 MODELS

INDEX

	<i>Page</i>		<i>Page</i>
General Information.....	10-51	Seats.....	10-59
Service Operations.....	10-51	Front Seat Back.....	10-59
Doors and Center Pillars.....	10-51	Rear Seat Cushion.....	10-59
Front Window Assembly.....	10-51	Rear Seat Back.....	10-59
Front Door Window Regulator.....	10-53	Tilting or Full-Folding Seat Back.....	10-59
Rear Quarters.....	10-53	Tilting or Full-Folding Seat Back Hinges..	10-59
Rear Quarter Trim Assembly.....	10-53	Tilting or Full-Folding Seat Back Mouldings	10-59
Rear Quarter Inner Panel Water Deflector.	10-53	Rear Seat Compartment Trim.....	10-60
Rear Quarter Window Glass Run Channel..	10-53	Rear Seat Compartment Front Trim	
Rear Quarter Dropping Window Assembly		and Insulation.....	10-60
and/or Lower Sash Channel Cam.....	10-54	Rear Seat Compartment Rear Trim	
Rear Quarter Window Adjustments.....	10-54	and Insulation.....	10-60
Rear Quarter Window Regulator.....	10-54	Rear Seat Compartment Wheel House Trim.	10-60
Rear Quarter Window Front Guide.....	10-54	Body Exterior Mouldings.....	10-60
Rear Quarter Stationary Window.....	10-54	All 27 Models.....	10-60
Back Window.....	10-55	Rear Quarter Front Reveal Mouldings.....	10-60
Back Window Assembly.....	10-55	Rear Quarter Window Upper Reveal	
Back Window Reveal Moulding.....	10-55	Moulding.....	10-60
Back Window Side Reveal Moulding—		527 Models.....	10-61
727 Models.....	10-55	Rear Quarter Window Front Vertical Scalp	
Back Window Upper Reveal Moulding—		and Upper Reveal Mouldings.....	10-61
727 Models.....	10-56	727 Models.....	10-61
Back Window Lower Reveal Moulding—		Rear Quarter Window Front Vertical Scalp	
727 Models.....	10-56	and Upper Reveal Mouldings.....	10-61
Back Window—527 and 727 Models.....	10-56	Roof Drip Moulding Scalp.....	10-61
Headlining.....	10-57	927 Models.....	10-61
		Door Window Frame Scalp Moulding.....	10-61
		Door Window Frame Vertical	
		Scalp Moulding.....	10-61
		Rocker Panel Outer Moulding.....	10-61
		Special Tools.....	10-70

GENERAL INFORMATION

The service information and procedures outlined for four door models also apply, in general, to two door models except for certain components peculiar to

two door design which are serviced as described in the following pages. For Body Views see Figures 10-88 and 10-89.

SERVICE OPERATIONS

DOORS AND CENTER PILLARS

FRONT WINDOW ASSEMBLY

Removal and Installation

Perform removal and installation as outlined for four door models except for following differences:

On two-door styles, remove door inner panel cam. To correct a condition where the glass is cocked in the run channels, loosen door inner panel cam attaching screws. Adjust cam as required and tighten screws.

FRONT DOOR INNER PANEL CAM ASSEMBLY

Removal and Installation

1. Raise door window. Remove door trim assembly and detach inner panel water deflector sufficiently to expose inner panel cam attaching screws (see Figure 10-90).
2. Remove cam attaching screws; then disengage cam from window regulator arm roller and remove from door.
3. To install, reverse removal procedure. Prior to in-

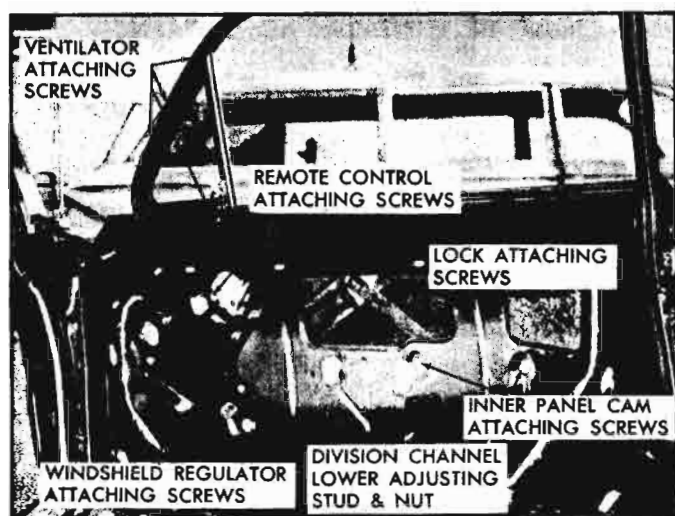


Fig. 10-90—Inner Panel Cam Attaching Screws

installation of inner panel cam, lubricate entire length of cam with 630AAW Lubriplate or equivalent.

FRONT DOOR WINDOW REGULATOR ASSEMBLY

Removal and Installation

1. Raise door window. Remove door trim assembly and detach inner panel water deflector.
2. Remove ventilator division channel lower adjusting stud and nut (fig. 10-91).
3. Place a protective piece of paper over window frame assembly and door weatherstrip to protect paint and weatherstrip from damage; then install a twelve to fifteen inch piece of body tape (2" or 2½" in width) over window frame, firmly pressing tape to both sides of glass. This operation is required to positively hold glass in the up position during regulator removal operation.

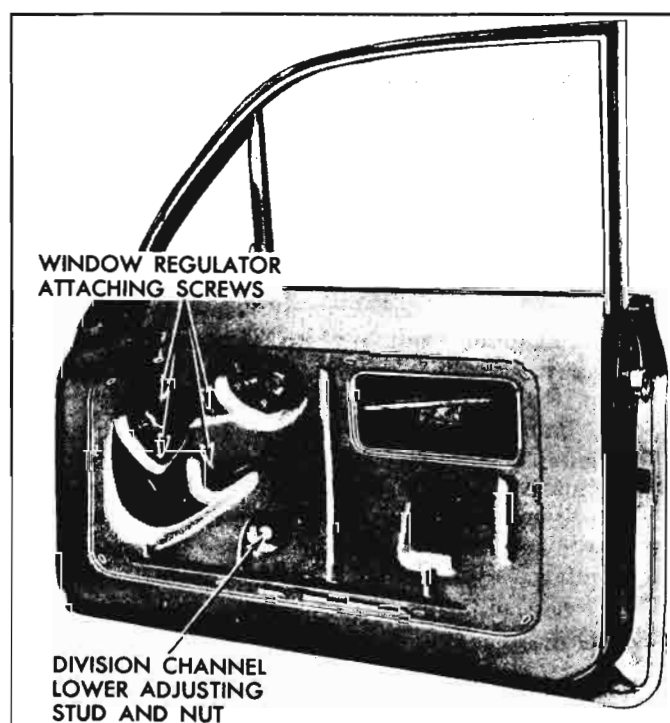


Fig. 10-91—Front Door Window Regulator and Lower Ventilator Attachment

4. Remove regulator inner panel cam attaching screws and remove cam through access hole.
5. Remove window regulator attaching screws (Fig. 10-91). Carefully disengage regulator arm rollers from lower sash channel cam; then, work regulator assembly rearward and remove through access hole.
6. To install regulator assembly, reverse removal procedure. After removal of body tape, clean up door window glass. Cycle window assembly several times to insure proper operation.

NOTE: If a condition is encountered where glass is misaligned in glass run channels, loosen inner panel cam attaching screws. Adjust cam up or down as required and retighten screws.

REAR QUARTERS

REAR QUARTER TRIM ASSEMBLY

The rear quarter trim assembly is serviced in the same manner as the front and rear door trim assemblies. For service procedure, refer to "Trim Assembly—Front and Rear Doors."

REAR QUARTER INNER PANEL WATER DEFLECTOR

The rear quarter inner panel water deflector should be serviced in the same manner as the front and rear door inner panel water deflector. For service procedures, refer to "Water Deflector—Front and Rear Doors."

REAR QUARTER WINDOW GLASS RUN CHANNEL

Removal and Installation

1. Lower rear quarter window and remove front and upper garnish mouldings.
2. Using a screwdriver or other suitable tool, carefully snap run channel rose bud clips from the side roof rail and body lock pillar, starting at the lower rear end. Make sure the lower front rose bud fastener, located approximately 1 inch below window opening, is disengaged before attempting to completely remove channel.

3. To install quarter window run channel, position channel to the side roof rail and body lock pillar; then snap rose bud clips into the retaining holes.
4. Install quarter window garnish mouldings.

REAR QUARTER DROPPING WINDOW ASSEMBLY AND/OR LOWER SASH CHANNEL CAM

Removal and Installation

1. Lower rear quarter window and remove rear quarter trim assembly.
2. Partially detach inner panel water deflector sufficiently to remove lower sash channel cam attaching screws (fig. 10-92).
3. Detach window assembly from lower sash channel cam. Tilt window, as indicated by dotted lines in Figure 10-92, and remove window assembly from between quarter panels.
4. To remove lower sash channel cam, remove rear guide attaching screws (Fig. 10-99); then detach cam from front guide and regulator arm rollers.
5. To install rear quarter window assembly or lower sash channel cam, reverse removal procedure. Prior to attaching window to lower sash channel cam, make sure cam is engaged on front guide, rear guide and regulator arm rollers. Lubricate channel portion of sash channel cam with Lubriplate as specified in the "LUBRICATION" section. Check operation of window and adjust window where required as described under "Rear Quarter Window Adjustments."

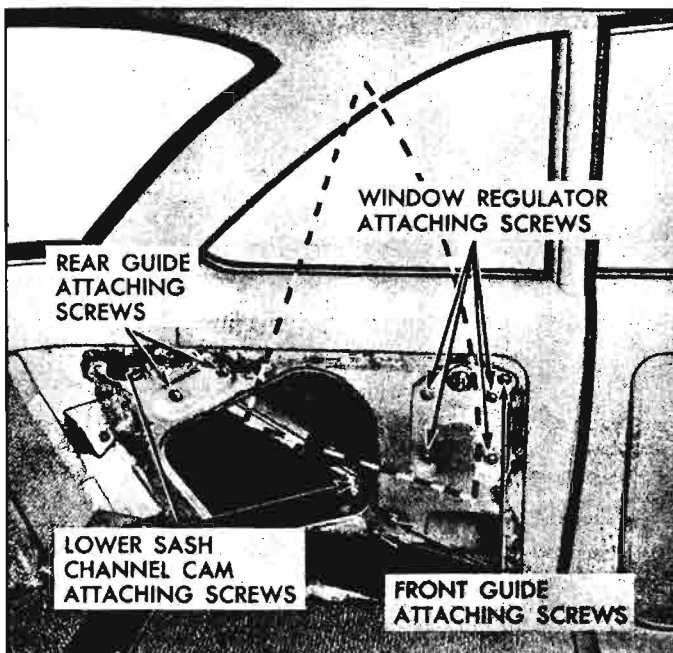


Fig. 10-92—Rear Quarter Window Hardware

REAR QUARTER WINDOW ADJUSTMENTS

Both the front and rear quarter window guides are adjustable forward or rearward to provide proper seating of the window in the glass rim channel and to provide easy operation of the window.

To adjust rear quarter window, remove quarter trim assembly, then carefully cut a small slit at front and rear guide screws (fig. 10-92). Loosen both front and rear guide attaching screws. Operate window to full "up" position making sure window is all the way forward and up into the run channels. Snug-up the upper attaching screw of the front guide and the forward attaching screw of the rear guide. Lower window to the full "down" position; then tighten all attaching screws of both front and rear guides.

To seal slits in water deflector at front and rear guide attaching screws, cement (using weatherstrip adhesive—neoprene type) a piece of 2" wide waterproof body tape over each slit. Press tape to assure a watertight seal.

REAR QUARTER WINDOW REGULATOR

Removal and Installation

1. Remove rear quarter window and lower sash channel cam.
2. Remove front guide lower attaching screw and loosen upper attaching screw. Swing lower end of guide against body lock pillar.
3. Remove regulator attaching screws (fig. 10-92), and remove regulator assembly through loading hole.
4. To install window regulator assembly, reverse removal procedure. Lubricate regulator, guides and sash channel cam as specified in "LUBRICATION" Section.

REAR QUARTER WINDOW FRONT GUIDE

Removal and Installation

1. Remove rear quarter window and lower sash channel cam.
2. Remove front guide attaching screws (fig. 10-92); disengage guide from roller on window lower sash channel frame and remove guide from between quarter panels.
3. To install rear quarter window front guide, reverse removal procedure. Lubricate channel portion of guide with Lubriplate, and adjust window as described under "REAR QUARTER WINDOW ADJUSTMENTS."

REAR QUARTER STATIONARY WINDOW

Removal

1. Remove rear quarter window front and upper garnish moldings.

2. Remove two (2) glass channel retainers at roof rail and one (1) retainer at lock pillar securing rubber channel and glass in opening.
3. Carefully push upper portion of rubber channel and glass assembly inward sufficiently to raise assembly upward and remove from body. NOTE: use caution not to smear sealer on headlining or adjacent trim.
4. Remove rubber channel from glass, where required.

Installation

1. Remove old sealer from window opening.
2. Apply a ribbon of medium-bodied sealer along the inboard surface of the side roof rail and body lock pillar quarter window flanges, as indicated at "1" in Figure 10-93.
3. Install rubber channel to glass; then position rubber channel and glass assembly into window opening.
4. Install loosely the three (3) rubber channel and glass retainers.
5. Using a pressure type applicator, apply weather-strip adhesive (black) between rubber channel and glass on outside of glass, as indicated at "2" in Figure 10-93, completely around glass.

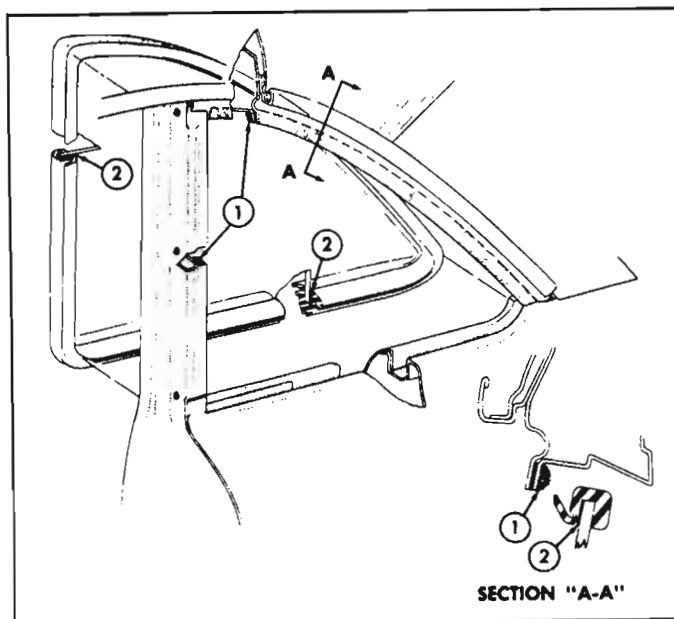


Fig. 10-93—Rear Quarter Stationary Window Sealing

6. Tighten rubber channel and glass retainers. Clean off excess sealer and cement; then install front and upper garnish mouldings.

BACK WINDOW

BACK WINDOW ASSEMBLY

The back window is secured in the body opening by a conventional rubber channel. On "727" models, the back window incorporates reveal mouldings which are secured by clips attached to the body opening pinchweld flange. In addition, the lower end of the side reveal mouldings are secured by a bolt and clip assembly. The back window reveal mouldings must be removed to remove the back window rubber channel and glass assembly.

BACK WINDOW REVEAL MOULDING

Removal and Installation

All the "727" model back window reveal mouldings are secured by one or more clips attached to the back window opening pinchweld flange or retainer. To remove the reveal mouldings without damaging the moulding, Tool J-7898-01 is available for this operation and should be used as described below to disengage the moulding from the clips:

Insert pointed end of tool between rubber channel and moulding; slide tool towards clip to engage point of tool between moulding and clip as shown in Figure 10-94. Then, swing tool slightly (parallel to glass), as indicated in illustration, to disengage prongs of clip from moulding; pull moulding out slightly to completely disengage moulding from clip.

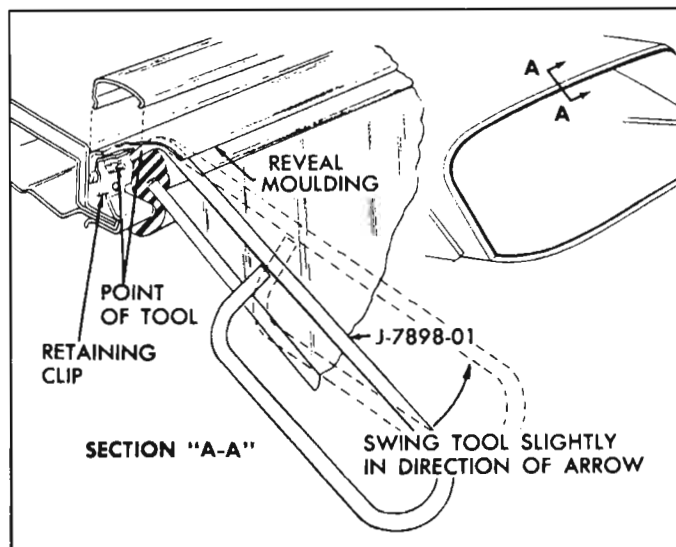


Fig. 10-94—Removing Back Window Reveal Moulding Clip, Using Tool J-7898-01

BACK WINDOW SIDE REVEAL MOULDINGS—

Removal and Installation

1. Remove back window garnish mouldings.
2. Under lip of back window rubber channel at lower corner, remove nut securing moulding clip bolt.

- Using Tool J-7898-01, disengage moulding from clip; then slide moulding downward sufficiently to disengage upper end from under upper reveal moulding and remove moulding from body.
- To install side reveal moulding, first apply body caulking compound around moulding clip bolt; then, position moulding to body with upper end under upper reveal moulding. Carefully use hand pressure at retaining clip until moulding is properly secured by clip. Install nut on moulding clip bolt and tighten.

BACK WINDOW UPPER REVEAL MOULDINGS

Removal and Installation

- Using Tool J-7898-01, disengage moulding from two outer clips; then, slide moulding off two remaining clips and remove moulding from body.
- To install upper reveal moulding, place moulding in position (right moulding overlaps left moulding); then, carefully use hand pressure at each retaining clip until moulding is properly secured by clips.

BACK WINDOW LOWER REVEAL MOULDINGS—"727" Models

Removal and Installation

- Using Tool J-7898-01, disengage moulding from four retaining clips starting at inner end of moulding; then disengage moulding from under lower end of side reveal moulding and remove moulding from body.

NOTE: To facilitate removal of the left side lower reveal moulding, first detach inner end of right moulding from retaining clips.

- To install lower reveal moulding, place moulding in position (right moulding overlaps left moulding and side reveal overlaps lower reveal); then, carefully use hand pressure at each retaining clip until moulding is properly secured by clips.

BACK WINDOW—"527" and "727" Models

Removal

- Place protective coverings over rear seat cushion and back assemblies, over rear seat compartment trim and over painted surfaces around back window.
- Remove back window garnish mouldings. On "727" models, remove back window reveal mouldings. See "Back Window Reveal Mouldings - '727' Model."
- From inside the body, carefully break seal between lip of rubber channel and pinchweld flange completely around opening.
- Carefully push back window and rubber channel

assembly outward until lip of rubber channel is disengaged from body pinchweld flange.

- Lift complete assembly from body opening and place on a protected surface. Remove rubber channel from glass.

Installation

CAUTION: Care should be exercised to make certain glass does not strike body metal during installation as edge chips can cause tempered glass to shatter. DO NOT attempt to grind glass.

- Clean original sealer from back window body opening and rubber channel and install rubber channel to glass.

CAUTION: Before installing back window glass, check the back window body opening, pinchweld flange and retaining flange for any irregularities and correct, where necessary. Mark center of back window and body opening.

- Check installation of reveal moulding clips and replace clips if damaged or loose. If replacing clips, apply medium-bodied sealer to opening rabbet, as shown at "1" in View "A", Figure 10-95, prior to installing clips.
- Apply a continuous bead of medium-bodied sealer approximately 1/4 inch diameter in corner of rabbet, as shown at "2" in View "A" and Section "B-B", Figure 10-95, completely around opening.

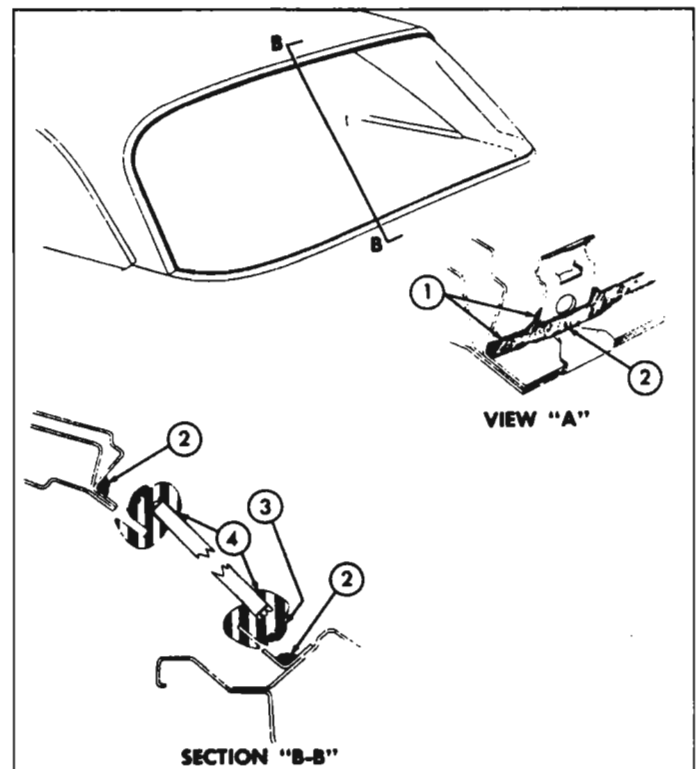


Fig. 10-95—Back Window Sealing

4. Insert a strong cord into pinchweld cavity of rubber channel; tie ends together at bottom center and tape to inside surface of glass.
5. Apply a continuous ribbon of medium-bodied sealer to rubber channel, as shown at "3" in Section "B-B", Figure 10-95, completely around channel.
6. With the aid of a helper, position back window assembly into body opening and align center marks. While helper is applying hand pressure to outside surface of glass, carefully pull ends of cord across bottom, up sides and across top of window opening to seat lip of rubber channel over pinchweld flange completely around perimeter of back window.

NOTE: On "527" models, check outer lip of rubber channel to make sure lip is seating properly, completely around the opening.

7. On "727" models, install back window reveal mouldings as described under "BACK WINDOW REVEAL MOULDINGS—"727" Model."
8. Using a pressure-type applicator, apply weather-strip adhesive (black) between rubber channel and glass on inside and outside of glass, as indicated at "4" in Section "B-B," Figure 10-95, around entire perimeter of glass.
9. Clean off excess sealer and cement. Install back window garnish mouldings and remove protective coverings.

HEADLINING

The headlining assembly is formed to contour by concealed listing wires. The ends of each listing wire are installed into holes in listing wire clips secured to the side roof rails. The wire and listing pocket at the center roof bow are secured to the side roof rails. The wire and listing pocket at the center roof bow are secured to the bow by bend-over metal tabs. The rear listing wire is secured at the center of the back window inner panel by a bend-over tab. The headlining is secured at the windshield, quarter windows and back window by cement and tacks or staples. At the door openings the headlining is cemented around the flange of the roof inner rail. In addition, a rear quarter filler upper foundation assembly is located at each rear quarter pillar. The assembly is secured in place by cement and by tacks or staples at the quarter window area.

NOTE: Clean hands are essential when working with headlining material.

Removal

1. Place protective coverings over seat cushions and backs.
2. Prior to removing headlining, remove following hardware and trim items.
 - a. Rear view mirror support.

- b. Sunshade support assembly.
 - c. Windshield upper garnish mouldings.
 - d. Back window upper garnish mouldings.
 - e. Rear quarter window upper garnish mouldings.
 - f. Dome lamp.
 - g. Pinchweld finishing strip along top of each door opening sufficiently to expose edge of headlining.
3. On each side of body, lower rear quarter window and remove tacks securing forward edge of rear quarter filler upper foundation assembly (See View "H," Figure 10-96). Then turn back trim, and with a suitable flat-bladed tool carefully break cement bond between foundation assembly and pillar and remove assembly.
 4. Carefully detach cemented edge of headlining from side roof rail at each door opening (See View "F").
 5. Carefully remove tacks or staples securing headlining at windshield, quarter window and back window openings, then carefully detach cemented edges of headlining.
 6. Working from front to rear of body, disengage headlining listing wires from side roof rails, gathering or rolling headlining with listing wires on outside to keep headlining clean. At center roof bow, bend down metal tabs, shown in View "E," securing listing wire, and at center of back window bend down tab securing center of rear listing wire (See View "G"). Remove headlining.
 7. If necessary, listing wires may be removed from pockets.

Installation

1. If previously removed, install listing wires into headlining listing pockets and lift entire assembly into body.

NOTE: Make certain paper covered wire is installed in center listing wire pocket.
2. Install rear listing wire. Center and align rear of headlining in relation to back window and rear quarter windows, then bend over tab securing center of rear listing wire (See View "G"). Then working forward, install ends of listing wires into listing wire holes in side roof rails.

NOTE: Make certain ends of listing wires are installed in correct holes to insure proper contour of headlining (See View "F").

3. At center roof bow, check headlining for proper centering and bend tabs over listing wire (See View "E"). Install remaining listing wires into holes in side roof rails.

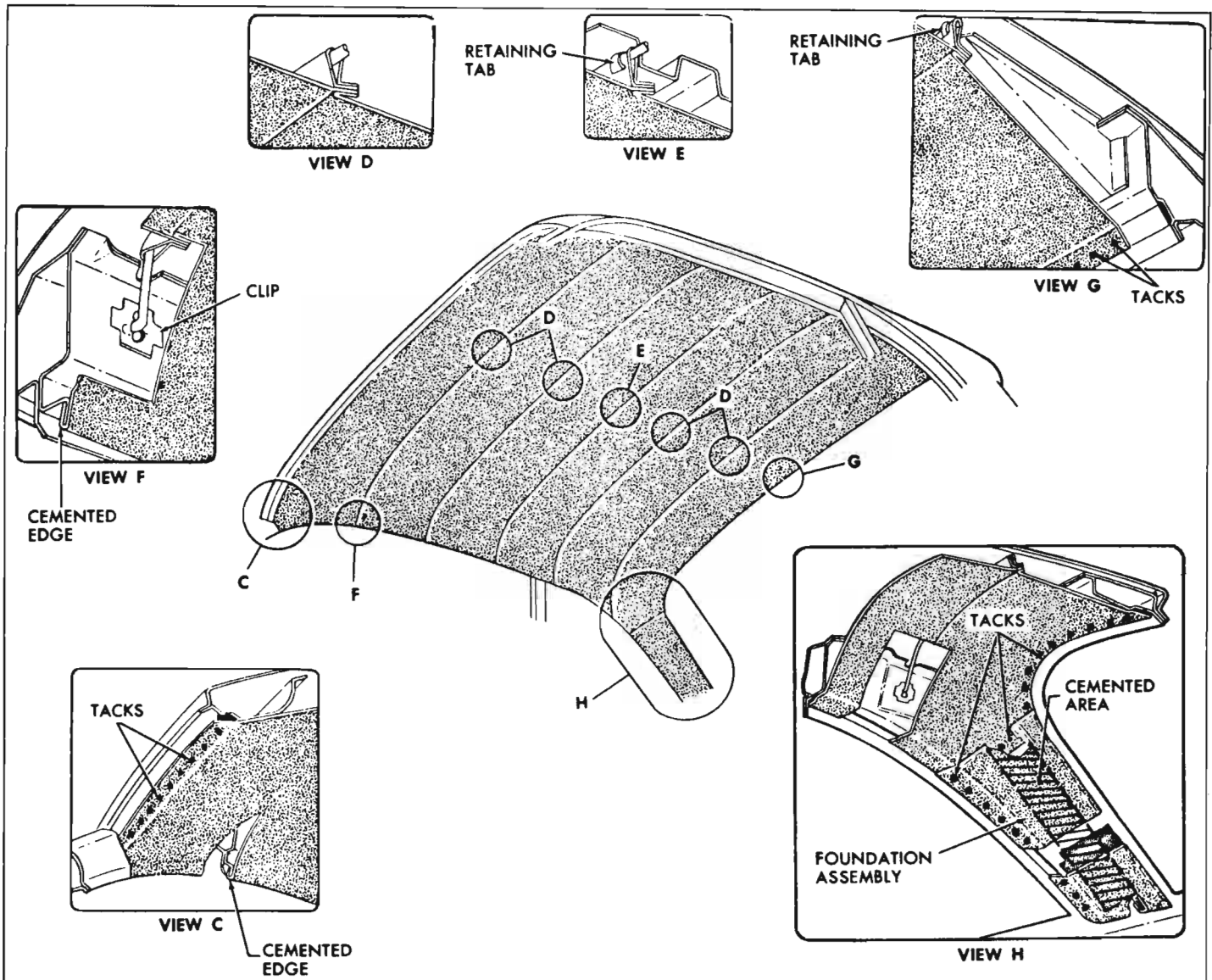


Fig. 10-96—Headlining Installation

- Center and align headlining in relation to windshield opening, sunshade locations and back window location. Then apply trim cement to headlining tacking surfaces at windshield and back window openings, and stretch and stay-tack headlining at these points.

- Apply trim cement to headlining tacking surfaces at rear quarter window areas and to headlining attaching surfaces along side roof rails at door locations (See Views "H" and "F"). Then carefully stretch and stay-tack headlining at rear quarter areas and cement headlining to side roof rails.

NOTE: Make certain all fullness and "draws" are removed from headlining.

- Remove any "fullness" and "draws" in headlining material at windshield, rear quarter, and back

window openings and permanently tack headlining to tacking strips.

- Apply trim cement to back of rear quarter filler upper foundation assembly at area indicated in View "H" and to corresponding area on pillar, then carefully cement foundation in place.

NOTE: Make certain tacks securing headlinings in this area are installed prior to cementing foundation assembly to pillar (See View "H").

- Apply trim cement to foundation assembly attaching surface at quarter window and carefully cement and tack forward edge of assembly to tacking strip (See View "H").
- Install all previously removed hardware and trim assemblies and remove protective coverings.

SEATS

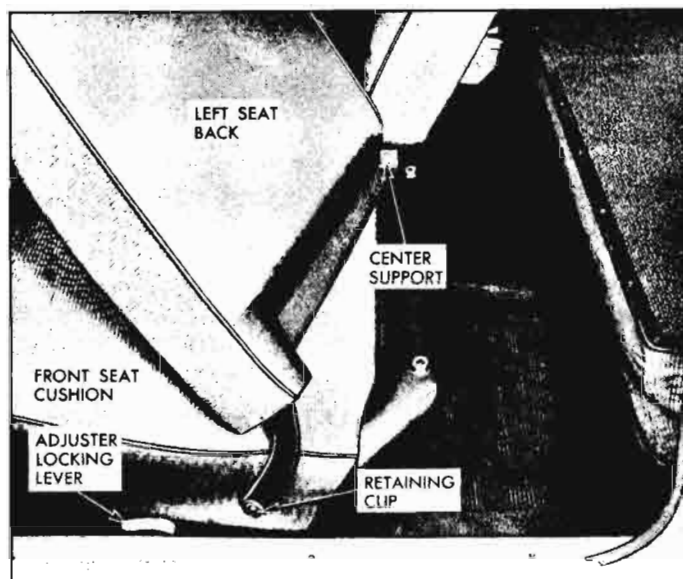


Fig. 10-97—Front Seat Back Installation

FRONT SEAT BACK—RIGHT OR LEFT

Removal and Installation

1. Tilt seat back forward and remove clip at side of front seat cushion. See Figure 10-97.
2. Lift seat back and tilt slightly forward, disengage seat back from center support.
3. To install, reverse removal procedure.

REAR SEAT CUSHION

Removal and Installation

1. Lift up front edge of rear seat cushion assembly to disengage protrusions in seat frame from slots in rear seat support and remove cushion assembly.
2. To install, reverse removal procedure making certain that protrusions engage in slots in rear seat support.

REAR SEAT BACK

Two types of rear seat back assemblies are available for the 1961 Chevrolet Corvair "527" and "727" models. The tilting type back can be pulled forward approximately 45° allowing access to the rear seat compartment floor storage area located behind the seat back. The full-folding type can be pulled forward until it locks and forms part of a storage floor which is level with the rear seat compartment floor. When operating either type of seat back, always grasp the upper edge of the seat back just inboard of the upper outer corners of the seat back.

Tilting or Full-Folding Type Rear Seat Back

Removal and Installation

1. At each side of rear seat back, remove two bolts securing hinge assembly to seat back. See "A" in Figure 10-98.
2. Remove seat back assembly from body.
3. To install, reverse removal procedure.

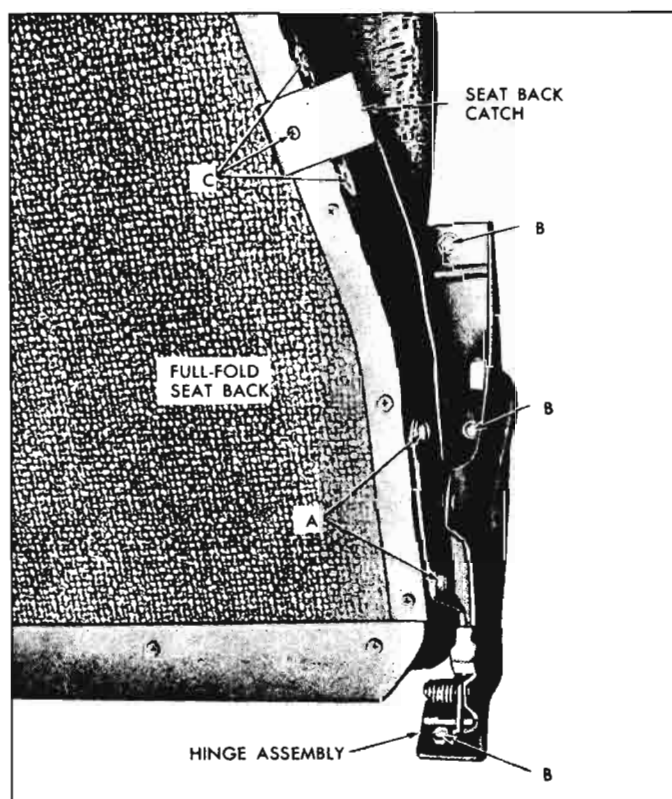


Fig. 10-98—Folding Rear Seat Back Installation

Tilting or Full-Folding Rear Seat Back Hinge Assemblies

Removal and Installation

1. Remove rear seat cushion and rear seat back (see above).
2. Remove bolts securing hinge assembly to floor pan. See "B" in Figure 10-98. Remove seat back hinge assembly from body.
3. To install, reverse removal procedure.

Tilting and Full-Folding Rear Seat Back Finish Mouldings

Removal and Installation

1. Remove screws securing seat back catch to seat back assembly. Remove right and left seat back catches as shown in Figure 10-98.
2. Remove screws securing corner escutcheons and remove escutcheons. See Figure 10-99.

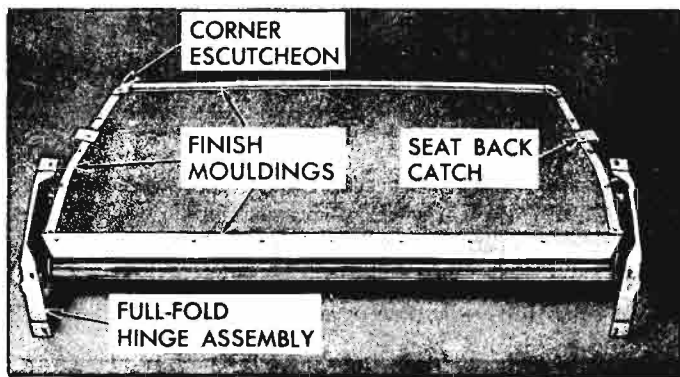


Fig. 10-99—Folding Rear Seat Back Moulding Installation

3. Remove screws securing bottom, top and side finishing mouldings and remove mouldings.
4. To install, reverse removal procedure.

REAR SEAT COMPARTMENT TRIM

The rear seat compartment trim consists of several

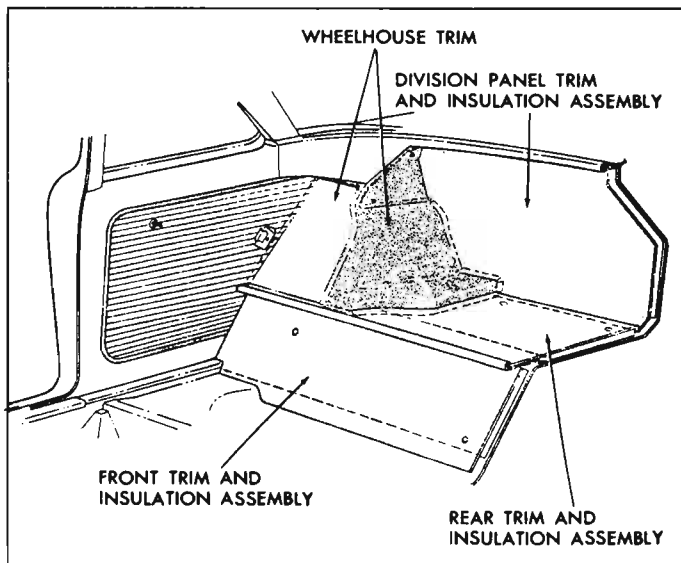


Fig. 10-100—Rear Seat Compartment Trim

pieces of trim secured in position by cement and/or finishing screws. (See Figure 10-100). If original trim is to be reinstalled, care should be exercised in detaching trim at cemented locations to prevent damage to trim.

REAR SEAT COMPARTMENT FRONT TRIM AND INSULATION

The rear seat compartment front trim and insulation assembly is secured by three finishing screws. To remove assembly, remove rear seat cushion and remove lower attaching screw. Tilt seat back forward and remove upper attaching screws; then remove assembly from body.

To install, reverse removal procedure.

REAR SEAT COMPARTMENT REAR TRIM AND INSULATION

The rear seat compartment rear trim and insulation assembly is secured by a retainer across the front and three finishing screws at the rear (fig. 10-100).

To remove assembly, remove three attaching screws at rear of assembly, lift rear of assembly upward and rearward to disengage front end from under retainer and; then remove assembly from body.

To install, reverse removal procedure.

REAR SEAT COMPARTMENT WHEELHOUSE TRIM

The rear seat compartment wheelhouse trim is cemented to body panels and is also secured by two finishing screws at the top of the trim (fig. 10-100).

To remove trim, remove rear seat compartment rear trim and insulation and rear seat compartment division panel trim and insulation. Remove two attaching screws securing top of trim; then carefully break cement bond securing trim and trim from body.

To install, reverse removal procedure using an approved trim cement.

BODY EXTERIOR MOULDINGS

Perform all servicing operations as explained under *four-door models*, except those outlined herein.

ALL -27 MODELS

Rear Quarter Window Front Reveal Moulding

The moulding, of bright finish on the 0927 style and of painted finish on the 0527 and 0727 styles, is secured by hook retention at the rear and by screws at the front. The moulding is overlapped by the upper reveal moulding.

To remove the moulding: remove the upper reveal moulding. Remove the attaching screws at the rear

body lock pillar and remove the moulding.

To install the moulding: apply body caulking compound to the attaching screws and holes. Engage the rear edge of the moulding over the quarter window pinchweld retaining flange and position the moulding to the rear body lock pillar. Install the attaching screws to effect a water-tight seal. Complete the installation of the upper reveal moulding.

Rear Quarter Window Upper Rear Moulding

The moulding, of bright finish on the 0927 style and of painted finish on the 0527 and 0727 styles, is se-

cured by snap retention to special, pre-installed clips on the quarter window pinchweld.

To remove the moulding: on the 0527 style, remove the rear quarter window. On all styles, protect the front reveal moulding from damage as required. With a flat-bladed hook tool, unsnap the outer edge of the moulding from the retaining clips. Start removal at the front.

To install the moulding: replace damaged retaining clips as required. Protect the front reveal moulding from damage as required. Position the inner edge of the moulding to the retaining clips. With a pair of pliers, properly insulated, snap the outer edge of the moulding over the retaining clips. On the 0527 style, seal and complete the installation of the rear quarter window.

527 MODELS

Rear Quarter Window Front Vertical Scalp and Upper Reveal Mouldings

The rear quarter window front vertical scalp moulding is installed before the reveal moulding and is secured to the rear quarter window by hooking the flange of the moulding over the pinchweld and with screws at the face of the lock pillar. The rear quarter upper reveal moulding is secured to the upper window frame by snapping the moulding and clips over the window frame pinchweld.

To remove the front vertical scalp moulding, the upper reveal moulding must be removed first.

On the "527" model it will be necessary to remove the rear quarter stationary window before removing the moulding. To install, reverse the removal procedure.

727 MODELS

Rear Quarter Window Front Vertical Scalp and Upper Reveal Mouldings

Proceed as outlined for 527 models except as follows:

To remove the upper reveal moulding on "727" model, use a flat-bladed tool, carefully pry down on the front end of the moulding until the moulding is disengaged from the pinchweld, then slide the moulding forward and remove. To remove the vertical scalp moulding after removing the upper reveal moulding, remove the screws at the lock pillar, work the moulding rearward from the pinchweld and remove the moulding.

Roof Drip Moulding Scalp

The scalp, of one-piece construction, is secured to the drip moulding by snap retention.

To remove the scalp: use a pointed, hook tool and unsnap the scalp from the drip moulding. Start the removal on the underside of the drip moulding at either end.

To install the scalp: position the upper edge of the scalp over the upper lip of the drip moulding, align the scalp to the body, and snap the lower rolled edge of the scalp under the drip moulding.

927 MODELS

Service as outlined for 729 models except for following:

Door Window Frame Scalp Moulding

The moulding is secured to the window frame by snap retention.

To remove the moulding: remove the door ventilator frame attaching screws, lower the door window and move the ventilator rearward slightly for access purposes. Then with a suitable flat-bladed hook tool, unsnap the upper scalp moulding from the window frame by working outwardly from the window opening. Start removal at the rear of the moulding.

To install the moulding: apply body caulking compound ($\frac{1}{8}'' \times \frac{1}{4}'' \times \frac{1}{4}''$) at six inch intervals on the inner side of the moulding. Position the moulding to the rear corner of the window frame above the vertical moulding and to the outside edge of the window frame and snap it into place. Complete the door ventilator installation.

Door Window Frame Vertical Scalp Moulding

The vertical scalp moulding is overlapped by the upper scalp moulding and is secured to the door window frame by snap retention.

To remove the moulding: loosen the upper scalp moulding from the door rear edge to the ventilator division channel. With a flat-bladed hook tool, unsnap the vertical moulding from the window frame by working outwardly from the window opening. Start the removal at either end. Use care not to damage any door parts during the operation.

To install the moulding: apply body caulking compound ($\frac{1}{8}'' \times \frac{1}{4}'' \times \frac{1}{4}''$) at six inch intervals on the inner side of the moulding. Position the moulding to the outside edge of the window frame and snap it into place. Complete the installation of the upper scalp moulding.

Rocker Outer Panel Moulding

The moulding is secured to the outer panel by a screw at each end and by snap-in type clips.

To remove the moulding: remove the attaching screw at each end of the moulding. With a flat-bladed tool, carefully pry the moulding and clips from the outer panel.

To install the moulding: replace damaged clips as required. Apply body caulking compound to the clips and to the attaching screw holes. Position the moulding and clips to the rocker panel and snap it into place. Install the end attaching screws.

STATION WAGON (-35) MODELS

INDEX

	<i>Page</i>		<i>Page</i>
General Description.....	10-62	Rear Floor Filler Panel Assembly.....	10-67
Body Shell.....	10-62	Rear Floor Filler Panel Hinge Assembly.....	10-67
General Construction.....	10-62	Heat Exchanger Opening Cover Assembly... ..	10-67
Underbody.....	10-65	Engine Compartment Cover Panel Assembly..	10-67
Alignment Checking.....	10-65	Compartment Floor Side Panel Assembly....	10-67
Rear Doors.....	10-65	Headlining.....	10-68
Rear Window Stationary Rear Outer Frame..	10-65	Removal.....	10-68
Rear Door Window Assembly.....	10-66	Installation.....	10-68
Removal.....	10-66	Exterior Mouldings.....	10-69
Installation.....	10-66	Rear Quarter Front Reveal Moulding.....	10-69
Adjustments.....	10-66	Rear Quarter Window Upper	
Seats.....	10-66	Reveal Moulding.....	10-69
Folding Rear Seats and Rear Compartment		Rear Fender Lower Moulding.....	10-69
Floor Panels.....	10-66	Roof Drip Moulding Escutcheon—535 Models	10-69
Folding Second Seat Back Assembly.....	10-66	Special Tools.....	10-70

GENERAL DESCRIPTION

The Corvair 535 and 735 Station Wagon models add compact utility to the Corvair line for 1961. The rear seat folds forward to provide an open floor length of 77.2" from the back of the rear seat to the tailgate. Other body dimensions are shown in Figure 10-101.

The Station Wagon body is serviced as outlined in the four door sedan part of this section, except as outlined in the following pages. See Figures 10-102 and 10-103 for body views.

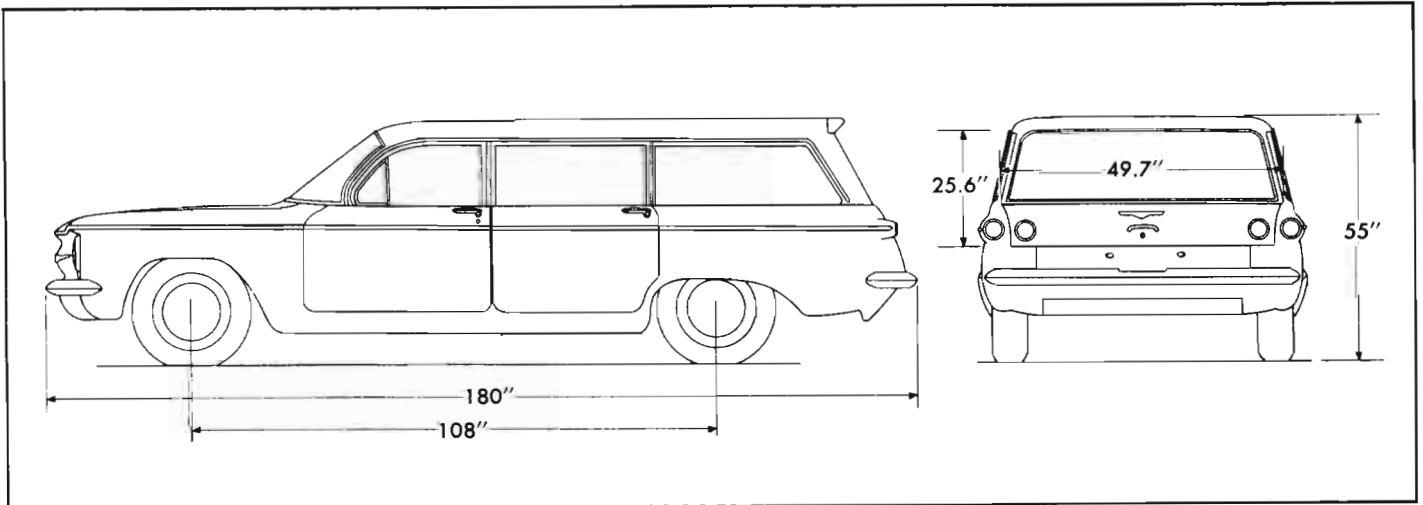


Fig. 10-101—1961 Corvair Station Wagon

BODY SHELL

GENERAL BODY CONSTRUCTION

The method of unitized construction of Station Wagon bodies is basically the same as used for sedans.

The rear body and underbody component parts, however, differ considerably. For an exploded view of Station Wagon body parts, see Figure 10-104.

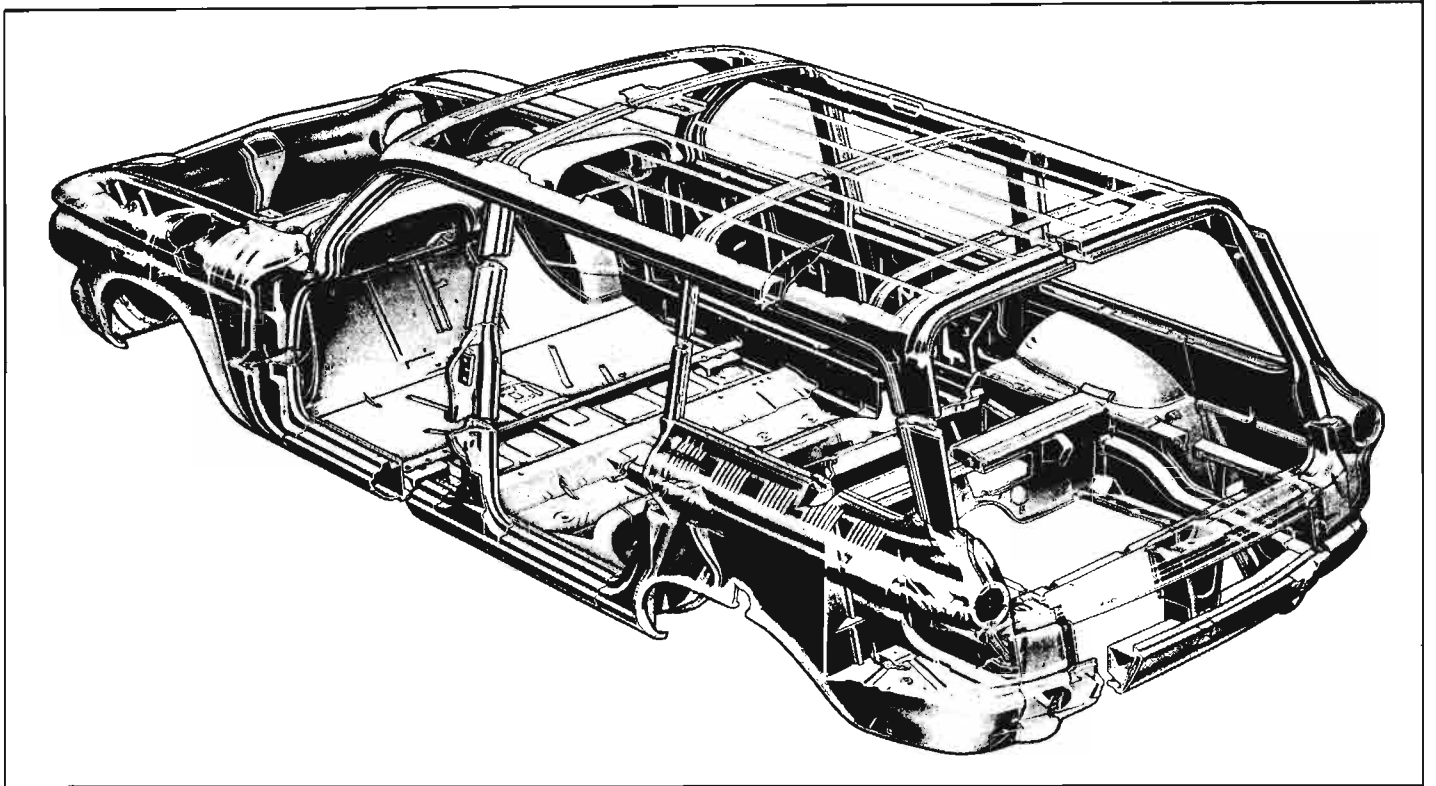


Fig. 10-102—Station Wagon Body—Upper Rear Quarter View

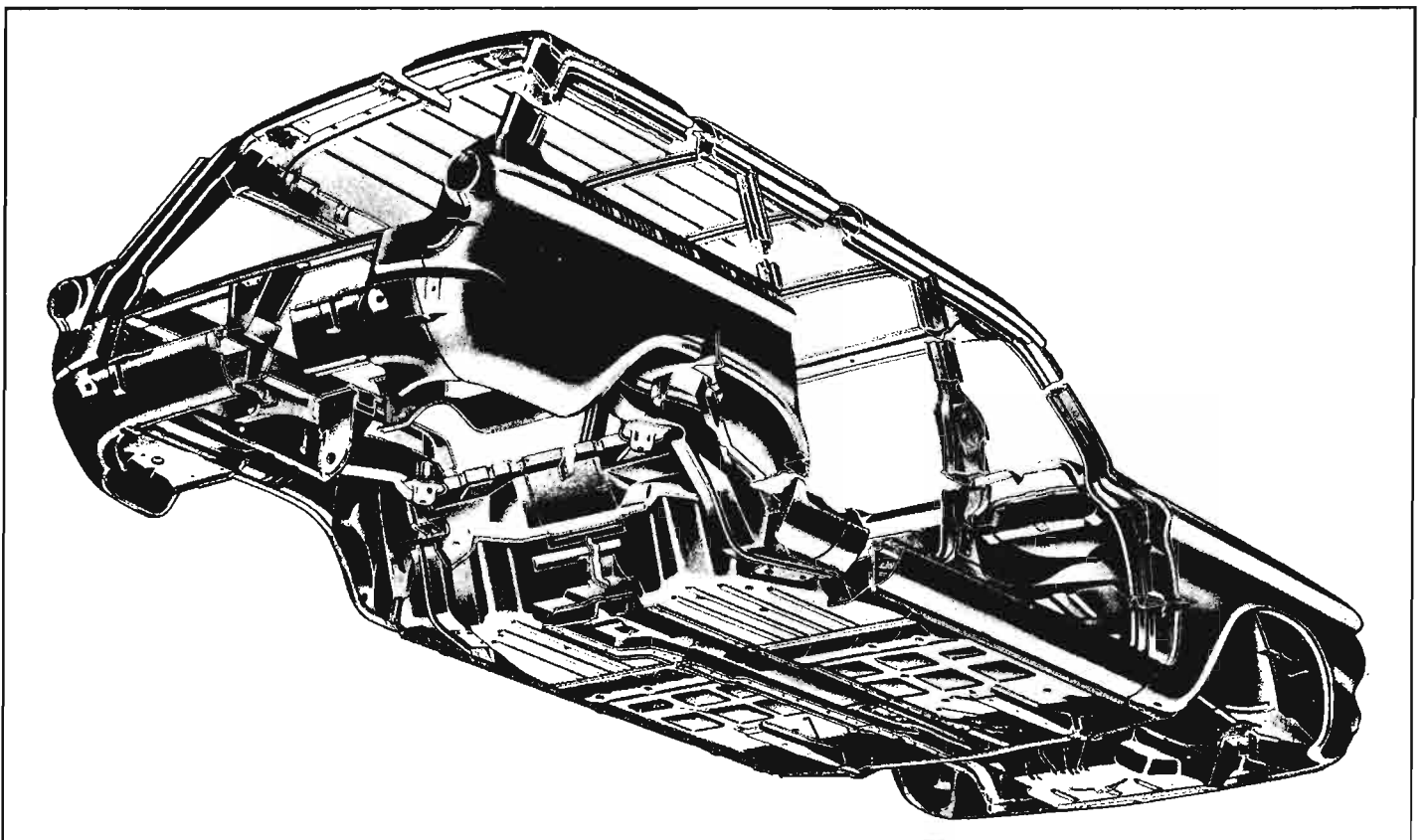


Fig. 10-103—Station Wagon Body—Lower Rear Quarter View

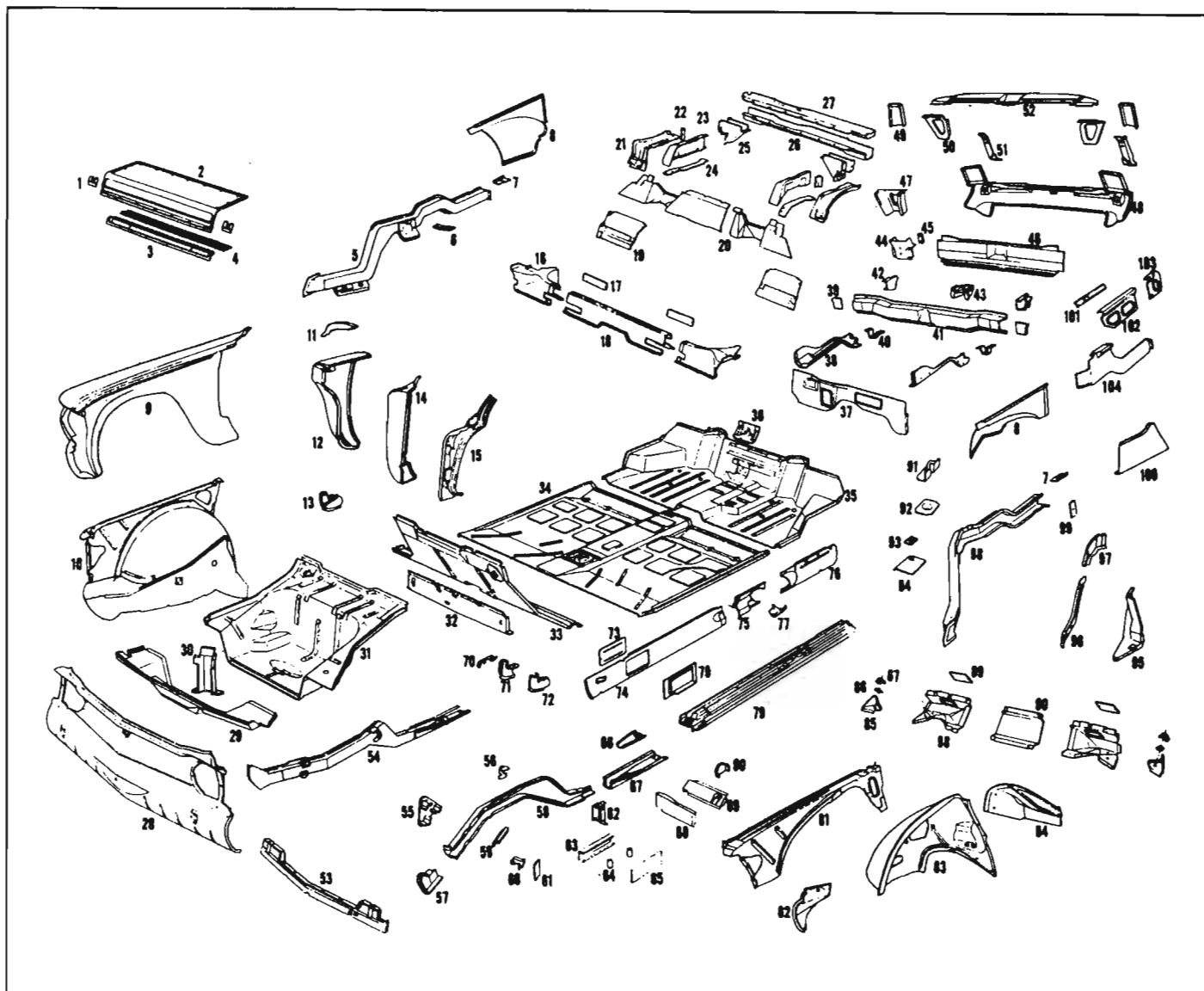


Fig. 10-104—Exploded View—Underbody, Front End and Shroud Sheet Metal—Station Wagon

- | | | |
|--|--|---|
| <p>1. Support—Heat Exchanger Bolt
 2. Cover—Heat Exchanger Opening
 3. Reinforcement—Heat Exchanger Opening Cover Front
 4. Reinforcement—Heat Exchanger Opening Cover Rear
 5. Rail Assembly—Engine Compartment Side
 6. Reinforcement—Rear Seat Pan Rear To Side Rail
 7. Extension—Engine Compartment Side Rail
 8. Panel—Rear Quarter Side Inner and Wheelhouse—Right
 9. Panel—Front Fender
 10. Panel Assembly—Front Wheelhouse
 11. Plate—Shroud Lower To Front Fender Baffle
 12. Panel—Shroud Lower
 13. Connector Assembly—Rocker To Pillar Hose
 14. Panel—Front Body Hinge Pillar Front
 15. Panel—Front Body Hinge Pillar Outer Rear
 16. Support—Rear Seat Outer
 17. Cover—Rear Seat Support Heater Opening
 18. Support—Rear Seat Center
 19. Cover—Rear Seat Pan Duct</p> | <p>20. Extensions—Rear Seat Front Pan Rear
 21. Extension—Heat Exchanger Opening Cover
 22. Extension—Heat Exchanger Opening Cover Support
 23. Support—Heat Exchanger Opening Cover
 24. Reinforcement—Engine Compartment Side Rail To Heat Exchanger Opening Cover Support
 25. Support—Division Panel Reinforcement To Side Rail
 26. Reinforcement—Engine Compartment Cover Panel (At Hinge) Lower
 27. Reinforcement—Engine Compartment Cover Panel (At Hinge) Upper
 28. Panel—Front End
 29. Pan—Front Compartment Front
 30. Reinforcement—Front Compartment Pan At License Plate
 31. Pan—Front Compartment Rear
 32. Bar—Toe Pan Cross—Lower
 33. Pan—Toe
 34. Pan—Floor
 35. Pan—Rear Seat Rear
 36. Reinforcement—Rear Seat Pan Front (At Cordon Shaft)
 37. Plate—Engine Compartment Baffle—Front</p> | <p>38. Plate—Engine Compartment Baffle—Side
 39. Plate—Rear Cross Bar To Rear Rail Front Lower
 40. Reinforcement—Rear End Panel
 41. Rail—Engine Compartment Rear Cross
 42. Support
 43. Support—Rear Bumper—Center
 44. Support—Engine Mount Lower
 45. Plate—Engine Mount Tapped
 46. Panel—Rear End Inner
 47. Support—Engine Mount Upper
 48. Panel—Rear End Outer
 49. Brace—Rear Cross Bar To Rear Rail—Rear
 50. Brace—Rear Cross Bar To Rear Rail—Upper
 51. Extension—Rear End Outer Panel
 52. Bar—Rear Cross
 53. Rail—Front Compartment Cross
 54. Rail Assembly—Front Compartment Pan Side
 55. Spacer and Plate—Front Compartment Pan Side Rail—Left
 56. Support—Gas Tank Strap
 57. Support—Front Bumper
 58. Rail—Front Compartment Pan Side
 59. Reinforcement—Front Compartment Side Rail (At Steering Gear)</p> |
|--|--|---|

- | | | |
|--|---|--|
| <p>60. Spacer—Front Compartment Side Rail (At Bumper)</p> <p>61. Reinforcement—Front Compartment Side Rail (At Bumper)</p> <p>62. Reinforcement—Front Compartment Side Rail (At Stabilizer)</p> <p>63. Reinforcement—Front Compartment Side Rail Inner (At Suspension)</p> <p>64. Spacers—Front Wheel Suspension</p> <p>65. Reinforcement—Front Compartment Side Rail Outer (At Suspension)</p> <p>66. Reinforcement—Floor Pan Side Rail (At Hold Down)</p> <p>67. Rail—Floor Pan Side</p> <p>68. Reinforcement—No. 1 Floor Pan Bar</p> <p>69. Bar No. 1—Floor Pan</p> <p>70. Support—Rocker To Pillar Hose Connector</p> <p>71. Connector—Rocker To Pillar Hose—Inner</p> <p>72. Connector—Rocker To Pillar Hose—Outer</p> <p>73. Cover—Rocker Inner Front Heater Opening</p> <p>74. Panel—Rocker Inner Front</p> <p>75. Panel—Rocker Inner Center</p> <p>76. Panel—Rocker Inner Rear</p> | <p>77. Reinforcement—Rocker Inner Center To Rear Panel</p> <p>78. Reinforcement—Rocker Inner Front Duct Opening</p> <p>79. Panel—Rocker Outer</p> <p>80. Filler—Toe Pan To Floor Rail End</p> <p>81. Panel—Front Wheelhouse Upper</p> <p>82. Extension—Front Wheelhouse Lower Panel Front</p> <p>83. Panel—Front Wheelhouse Lower</p> <p>84. Extension—Front Wheelhouse Lower Panel Rear</p> <p>85. Support—Rear Suspension Outer Mounting—Front</p> <p>86. Nut—Rear Suspension Front Mounting</p> <p>87. Retainer—Rear Suspension Front Mounting Nut</p> <p>88. Reinforcement—Rear Seat Pan (At Kick-Up) Side</p> <p>89. Cover—Rear Seat Pan Reinforcement Heater Opening</p> <p>90. Reinforcement—Rear Seat Pan (At Kick-Up) Center</p> <p>91. Brace—Rear Wheel Suspension Outer Mounting Support</p> | <p>92. Support—Rear Wheel Suspension Outer Mounting</p> <p>93. Plate—Rear Body Hold Down Nut Mounting</p> <p>94. Reinforcement—Engine Compartment Side Rail (At Hold Down)</p> <p>95. Filler—Engine Compartment Side to Rocker Inner Panel</p> <p>96. Reinforcement—Engine Compartment Side Rail Outer (At Kick-Up)</p> <p>97. Reinforcement—Engine Compartment Side Rail Outer</p> <p>98. Rail—Engine Compartment Side</p> <p>99. Plate—Engine Compartment Side Rail (At Bumper)</p> <p>100. Extension—Quarter Inner and Wheelhouse Rear</p> <p>101. Reinforcement—Engine Compartment Cover Panel Support</p> <p>102. Support—Engine Compartment Cover Panel Upper</p> <p>103. Support—Engine Compartment Cover Panel Rear</p> <p>104. Support—Engine Compartment Cover Panel Lower</p> |
|--|---|--|

UNDERBODY

UNDERBODY ALIGNMENT CHECKING PROCEDURE

Perform checking as outlined for sedan styles except as follows:

HORIZONTAL DIMENSIONS

Dimensions U and V

Dimensions are taken from front lower edge of motor mount lower support at a point directly below center of the lower attaching bolt for engine rear mounting bracket (Point "L," fig. 10-105) instead of center of front lower edge of rear crossrail. Measure from this point to center of rear crossmember outer mounting bolt or bolt hole for dimensions U and V.

Dimension W

Measure from point "L" described in the foregoing paragraph (fig. 10-105) to engine compartment right side rail outer flange.

VERTICAL DIMENSIONS

To obtain dimension L, measure from datum line to front lower edge of motor mount lower support at a

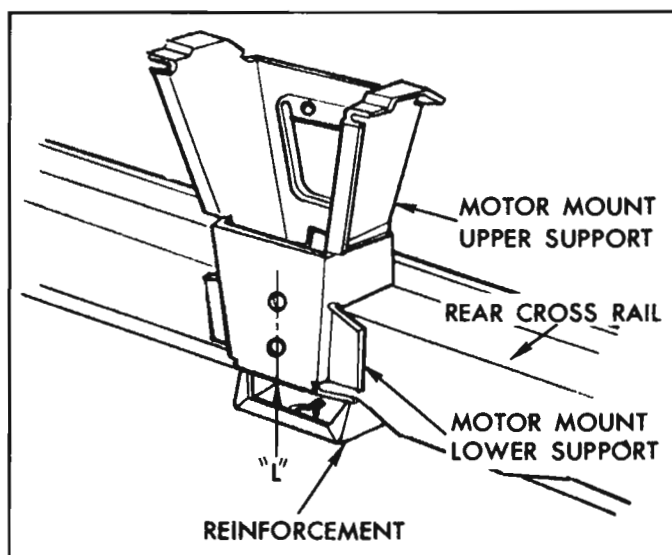


Fig. 10-105—Reference Point "L"—Station Wagon Models

point directly below center of lower attaching bolt hole for engine rear mount bracket (point "L") as shown in Figure 10-105. This dimension should be $9\frac{7}{16}$ ".

REAR DOORS

REAR DOOR WINDOW STATIONARY REAR OUTER FRAME

Removal and Installation

1. Lower door window.

2. Remove screws along lock pillar facing of window frame and screw at top of upper rear corner of window frame. Then slide stationary rear outer frame downward to disengage tab at upper end and remove frame.
3. To install, reverse removal procedure.

REAR DOOR WINDOW ASSEMBLY

Removal

1. Remove door trim assembly and detach inner panel water deflector.
2. Remove rear door inner panel cam (see Figure 10-106).
3. Remove rear door window glass run channel lower rear retainer assembly.
4. Lower door window and remove rear door window stationary rear outer frame and disengage glass run channel along lock pillar facing of door.
5. While carefully raising window until rollers on window regulator arms are above rear door window inner and outer strip assemblies at belt line, move upper edge of window assembly outboard of window frame. Then slide window assembly rearward to disengage lower sash channel cam from window regulator arms and remove window assembly.

Installation

To install, reverse removal procedure. Lubricate entire length of window lower sash channel cam and door inner panel cam with 630AAW Lubriplate or equivalent. Check window for proper operation before installing inner panel water deflector.

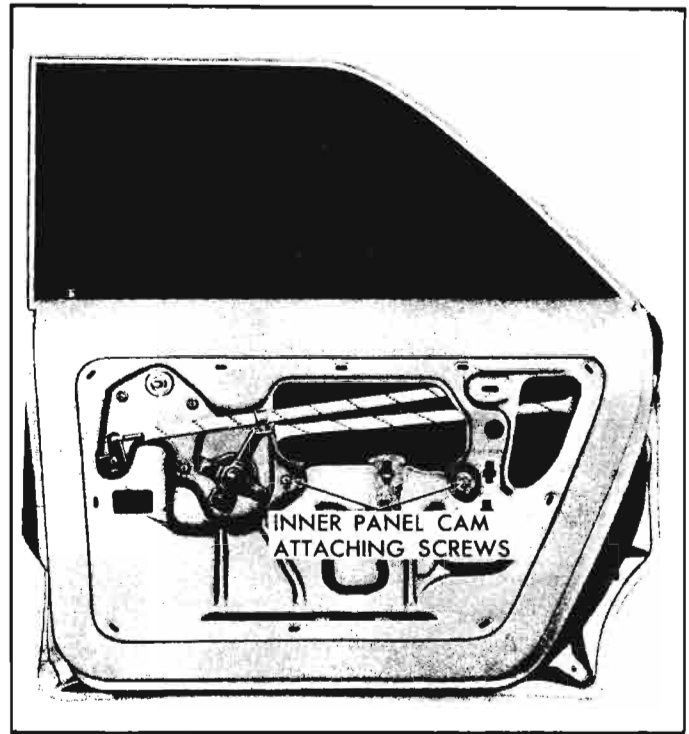


Fig. 10-106—Rear Door Window Guide Roller Attachment

Adjustments

Adjust window as described under Rear Door Window Assembly—"69" Styles.

SEATS

FOLDING REAR SEAT AND REAR COMPARTMENT FLOOR PANELS

The following view is typical of the Corvair station wagon folding rear seat back and rear compartment floor panels. Figure 10-107 illustrates the component

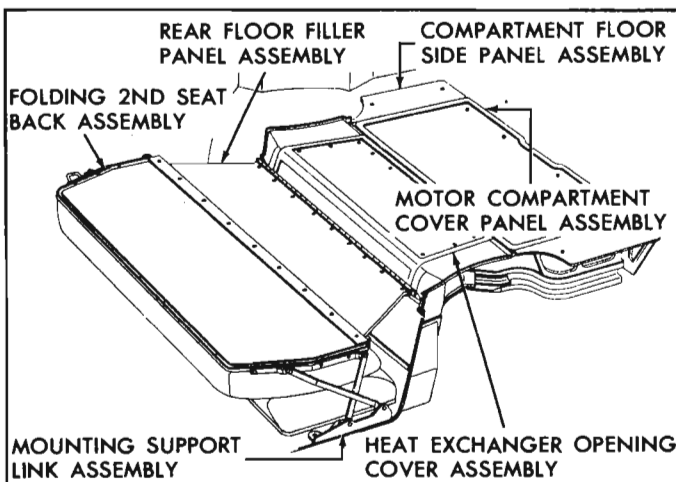


Fig. 10-107—Folding Seat and Rear Compartment Panels

parts of the rear compartment area and their relationship.

FOLDING 2ND SEAT BACK ASSEMBLY

Removal and Installation

1. Fold 2nd seat back assembly to down position.
2. Remove bolts securing right and left mounting support link assemblies to seat back assembly (fig. 10-108) and remove folding 2nd seat back assembly from body.
3. To install, reverse removal procedure.

FOLDING 2ND SEAT BACK MOUNTING SUPPORT LINK ASSEMBLY

Removal and Installation

1. Fold 2nd seat back assembly to down position.
2. Remove bolts securing folding 2nd seat back mounting support link assembly to floor pan.
3. Remove bolts securing support link to folding 2nd seat back assembly and remove support link from body.
4. To install, reverse removal procedure.

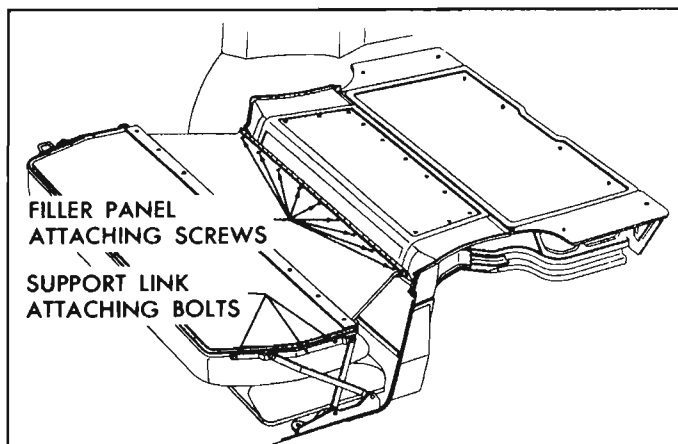


Fig. 10-108—Rear Floor Filler Panel Assembly

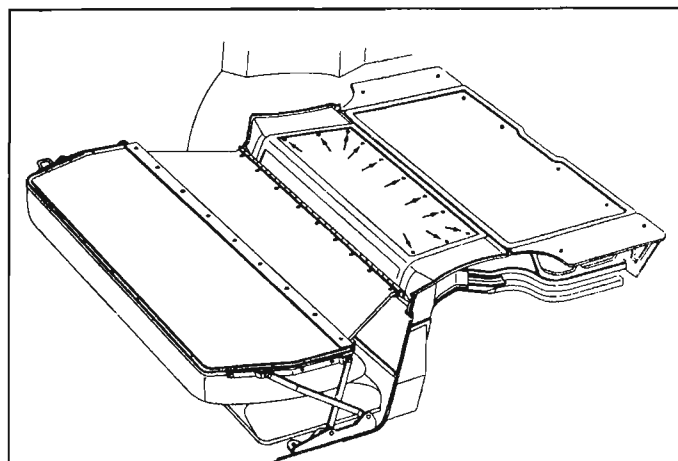


Fig. 10-109—Heat Exchanger Opening Cover Attaching Screws

REAR FLOOR FILLER PANEL ASSEMBLY

Removal and Installation

1. Remove screws securing filler panel to filler panel hinge (fig. 10-108) and remove filler panel assembly from body.
2. To install, reverse removal procedure.

REAR FLOOR FILLER PANEL HINGE ASSEMBLY

Removal and Installation

1. Lift up front edge of filler panel assembly sufficiently to expose hinge to floor pan attaching screws along rearward edge of panel.
2. Remove filler panel hinge to floor pan attaching screws and remove filler panel assembly with attached hinge from body.
3. As a bench operation, remove screws securing hinge to filler panel (fig. 10-108) and remove filler panel hinge assembly.
4. To install, reverse removal procedure.

HEAT EXCHANGER OPENING COVER ASSEMBLY

Removal and Installation

1. Lift up front edge of filler panel assembly sufficiently to expose hinge to floor pan attaching screws along rearward edge of panel.
2. Remove filler panel hinge attaching screws and remove filler panel assembly with attached hinge from body.
3. Remove screws securing heat exchanger opening cover to floor pan supports (fig. 10-109) and remove cover assembly from body.
4. To install, reverse removal procedure.

ENGINE COMPARTMENT COVER PANEL ASSEMBLY

To gain access to the engine compartment area, the engine compartment cover may be raised as follows:

1. Remove screws securing rear end of panel to floor pan support (fig. 10-110).

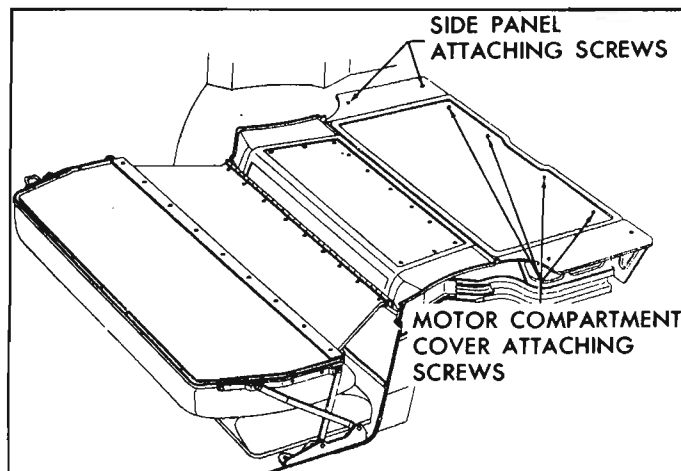


Fig. 10-110—Engine Compartment Cover Panel Assembly

2. Lift up rear edge of engine compartment cover panel sufficiently to install panel hold open rod in slot provided at left side of engine compartment opening.

To remove entire engine compartment cover panel assembly from body proceed as follows:

1. Remove screws securing rear end of panel to floor pan support (fig. 10-110).
2. At front end of panel, remove screws securing cover panel hinge to floor pan reinforcement and remove cover panel assembly from body.
3. To install, reverse removal procedure.

COMPARTMENT FLOOR SIDE PANEL ASSEMBLY (Right or Left)

1. Remove screws which secure panel to floor pan supports (fig. 10-110) and remove panel assembly from body.
2. To install, reverse removal procedure.

HEADLINING

The headlining assembly is formed to contour by concealed listing wires. Both ends of each listing wire are installed into holes in listing wire clips which are secured to the side roof inner rail assembly. The headlining assembly is secured at the windshield and back window by cement and tacks or staples. Along the side roof rail, the headlining is cemented around the flange of the side roof inner rail assembly.

CAUTION: CLEAN HANDS AND TOOLS ARE ESSENTIAL WHEN WORKING WITH HEADLINING MATERIAL.

Removal

1. Place protective coverings over seat cushions and backs.
2. Prior to removing headlining, remove following hardware and trim assemblies:
 - a. Sunshade support assembly(s).
 - b. Rear view mirror support.
 - c. Windshield upper garnish mouldings.
 - d. Center pillar-to-roof rail finishing plates.
 - e. Dome lamp assembly.
 - f. Pinch weld finishing strip along top of each door

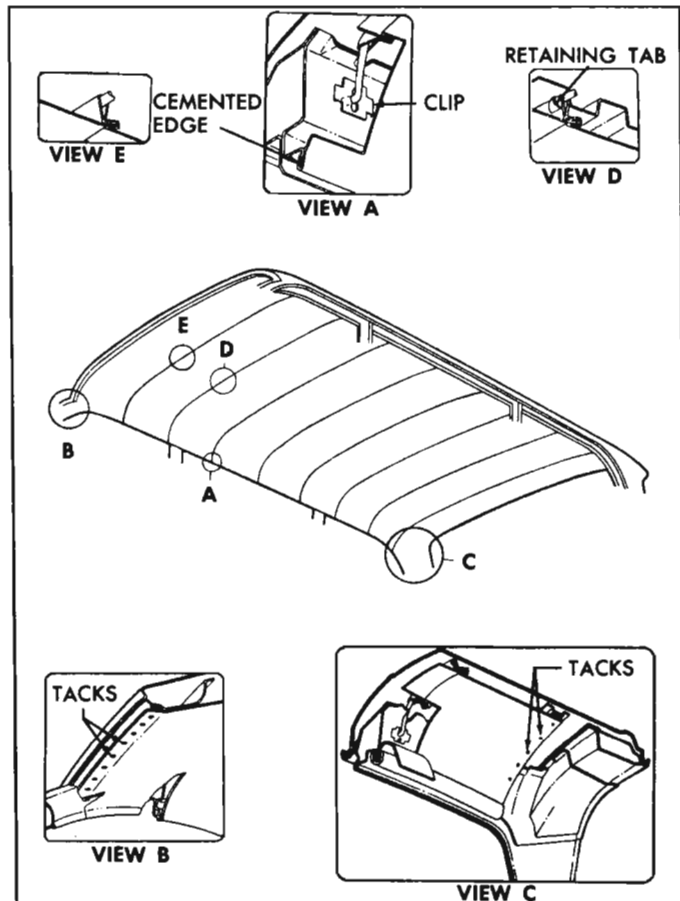


Fig. 10-111—Headlining Installation

opening sufficiently to expose edge of headlining.

- g. Body lock pillar to roof rail finishing plates.
- h. Back body opening upper finishing panels.
- i. Rear quarter upper pinch weld finishing strips.
3. Carefully detach cemented edge of headlining along each side roof inner rail including rear quarter windows as shown in View "A", Figure 10-111.
4. Carefully remove tacks or staples securing headlining at windshield opening as shown in View "B", and along back body opening as shown in View "C", Figure 10-111, then carefully detach cemented edges of headlining from openings.
5. Working from front to rear of body, disengage headlining #1 listing wire from clip on side roof inner rail. Gather or roll headlining with listing wires on outside to keep headlining clean.
6. At roof bow, bend down metal tabs, shown in View "D", Fig. 10-111 and remove listing support wire from roof bow.
7. Disengage remaining listing wires from clips on side roof inner rail and remove headlining from body and place on clean protected surface.

IMPORTANT: Note which holes the ends of the listing wires are installed in side roof rail clips to insure proper installation (See View "A").

8. If replacing headlining, remove listing wires from pockets of headlining.

Installation

1. If previously removed, install listing wires into pockets of new headlining assembly.
2. Apply approved trim cement to headlining attaching surfaces at windshield and back window openings. Also apply cement to headlining attaching surfaces along side roof inner rails.
3. Lift entire headlining assembly into body, then install rear listing wire. Center and align headlining in relation to back body opening and side roof rails. Working forward, install ends of listing wires into listing wire holes in side roof rails.

NOTE: The headlining listing wires are normally installed in center hole of clip as shown in View "BB".

4. Install headlining listing support wire over metal tabs on roof bow. Bend up metal tabs so that support wire is securely fastened to roof bow. (See View "D", fig. 10-111).
5. Install #1 listing wire into hole of clip on side roof inner rail.

NOTE: Headlining listing wires may be adjusted up or down in different clip holes as required to compensate for headlining which

may be too tight against the roof panel or too loose making it difficult to remove draws or wrinkles.

6. Stretch and stay tack headlining along entire windshield and back body openings.
7. Apply trim cement to side edges of headlining assembly.
8. Working toward front of body, install headlining to side roof inner rail, cutting headlining to shape at center pillar and upper rear body lock pillar. Remove all draws or wrinkles as required from headlining assembly.
9. Trim excess material from edges of headlining assembly.
10. Using a headlining inserting tool, install trimmed edges of headlining to outer surface of side roof inner rail to give headlining a finished appearance.
11. Inspect headlining along back body opening. Remove draws or wrinkles as required by stretching material and retacking. After all fullness has been removed, permanently tack headlining assembly across back body opening.
12. Trim away excess material across back body opening.
13. Inspect headlining along windshield opening. Remove draws and wrinkles as required by stretching material and retacking. After all fullness has been removed, permanently tack headlining assembly across windshield opening.
14. Trim away excess material across windshield opening.
15. Install door opening and rear quarter upper pinchweld finishing strips and all other previously removed inside hardware.

EXTERIOR MOULDINGS

REAR QUARTER WINDOW FRONT REVEAL MOULDING

The moulding, of painted finish, is secured by snap retention to special, previously installed clips on the quarter window pinchweld. The moulding is overlapped by the upper reveal moulding.

To remove the moulding: loosen the front half of the upper reveal moulding. Using a suitable flat-bladed hook tool, unsnap the outer edge of the moulding from the retaining clips located at the top, center and bottom of the moulding.

To install the moulding: replace moulding retaining clips as required. Position the moulding to the body, engage the inner edge of the moulding over the retaining clips and with a pair of pliers, properly insulated, snap the moulding into place. Install the upper reveal moulding. Seal and complete the installation of the rear quarter window.

REAR QUARTER WINDOW UPPER REVEAL MOULDING

The moulding, of painted finish, is secured by snap retention to special, previously installed clips on the quarter window pinchweld.

To remove the moulding: loosen the rear quarter window across the top of the opening. Protect the front reveal moulding from damage as required. Using a suitable flat-bladed hook tool, unsnap the outer edge of the moulding from each retaining clip.

To install the moulding: replace retaining clips as required. Align the moulding with the front reveal moulding and engage the inner edge of the moulding with the retaining clips. Protect the front reveal moulding from damage as required. With a pair of pliers, properly insulated, snap the moulding outer edge into

position at each clip location. Seal and complete the installation of the rear quarter window.

REAR FENDER LOWER MOULDING

The moulding is secured to the rear fender by a bolt and clip assembly at the rear and by bathtub type, snap-on clips. On "35" styles the bolt and clip assembly is the rearmost attachment. On "27" and "69" styles the bolt and clip assembly is located at the moulding rear radius.

To remove the moulding: remove the rear clip bolt nut. With a flat-bladed tool, carefully unsnap the moulding from each retaining clip.

To install the molding: replace damaged clips and seal the replacement clips as required. Apply body caulking compound to the clip bolt and attaching nut. Position the moulding to the fender and over the retaining clips and snap it into place. Install the attaching nut.

ROOF DRIP MOULDING ESCUTCHEON

535 Models Only

The escutcheon is painted body color and is secured to the roof drip moulding and to the roof drip moulding rear extension by snap retention. The escutcheon is located at the upper rear corner of the body over the rear quarter window.

To remove the escutcheon: use a pointed, hook tool, unsnap the lower rolled edge of the escutcheon under the drip moulding, and life the escutcheon straight up. If necessary, detach the escutcheon straight up. If necessary, detach the escutcheon upper formed flange.

To install the escutcheon: position the escutcheon to the drip moulding and snap the lower rolled edge under the drip mouldings. Form the escutcheon upper flange to nest in the drip moulding. Touch up as required.

SPECIAL TOOLS

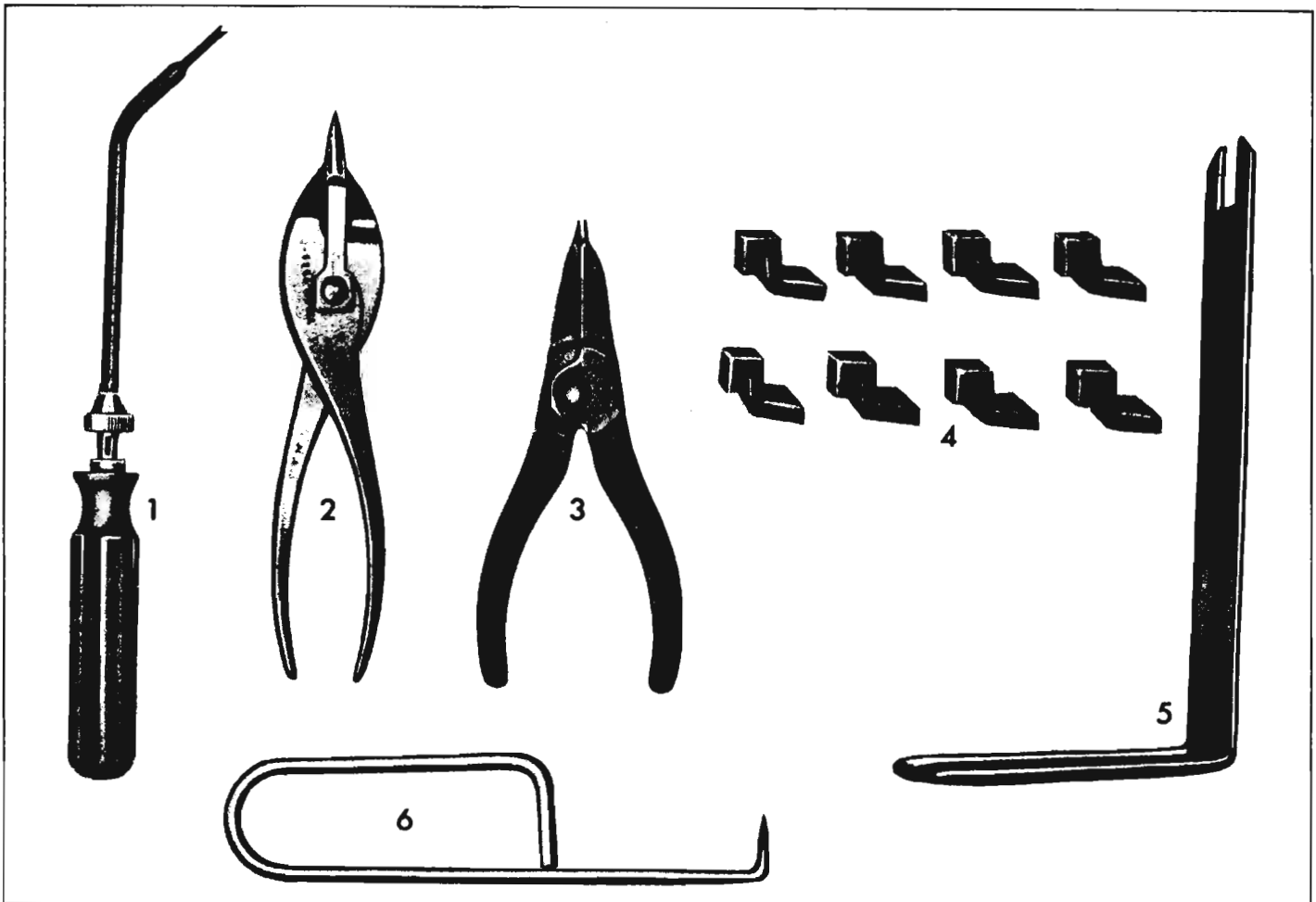


Fig. 10-112—Body Special Tools

- 1. J-5757—Weatherstrip Inserting Tool
- 2. J-5984—Weatherstrip Clip Reforming Tool
- 3. J-4880—Windshield Wiper Link Retainer Remover (Truarc No. 22 pliers)

- 4. J-8372—Windshield Checking Blocks
- 5. J-7797—Inside Handle Retaining Spring Remover
- 6. J-7898-01—Reveal Moulding Remover