

985070-988373
BUMPER GUARD INSTRUCTION SHEET
R-10 SERIES

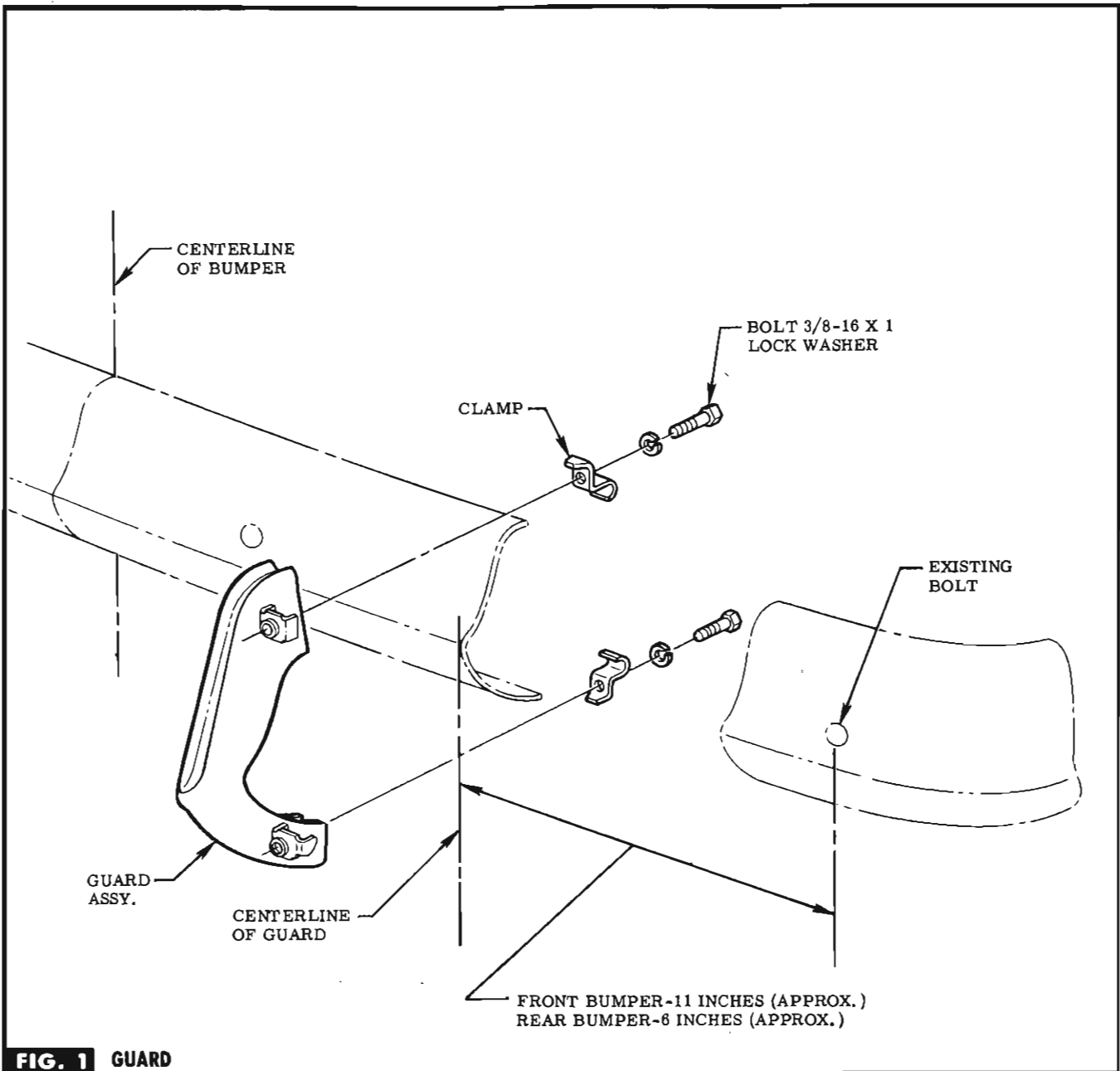


FIG. 1 GUARD

STEP 1 INSTALL GUARD ON FRONT OR REAR BUMPER AT LOCATION SHOWN WITH ATTACHING PARTS PROVIDED. UPPER & LOWER BOLTS SHOULD BE TIGHTENED PROGRESSIVELY TO INSURE PROPER FIT. SEE FIG. 1.