

985357

SEAT BELT INSTRUCTION SHEET

FRONT SEAT CHEVROLET, CHEVY, CORVAIR, & CORVAIR 95, (GREENBRIER)

NOTE: FOR OPERATING INSTRUCTIONS FOR OWNER, PLACE LAST SHEET IN GLOVE COMPARTMENT

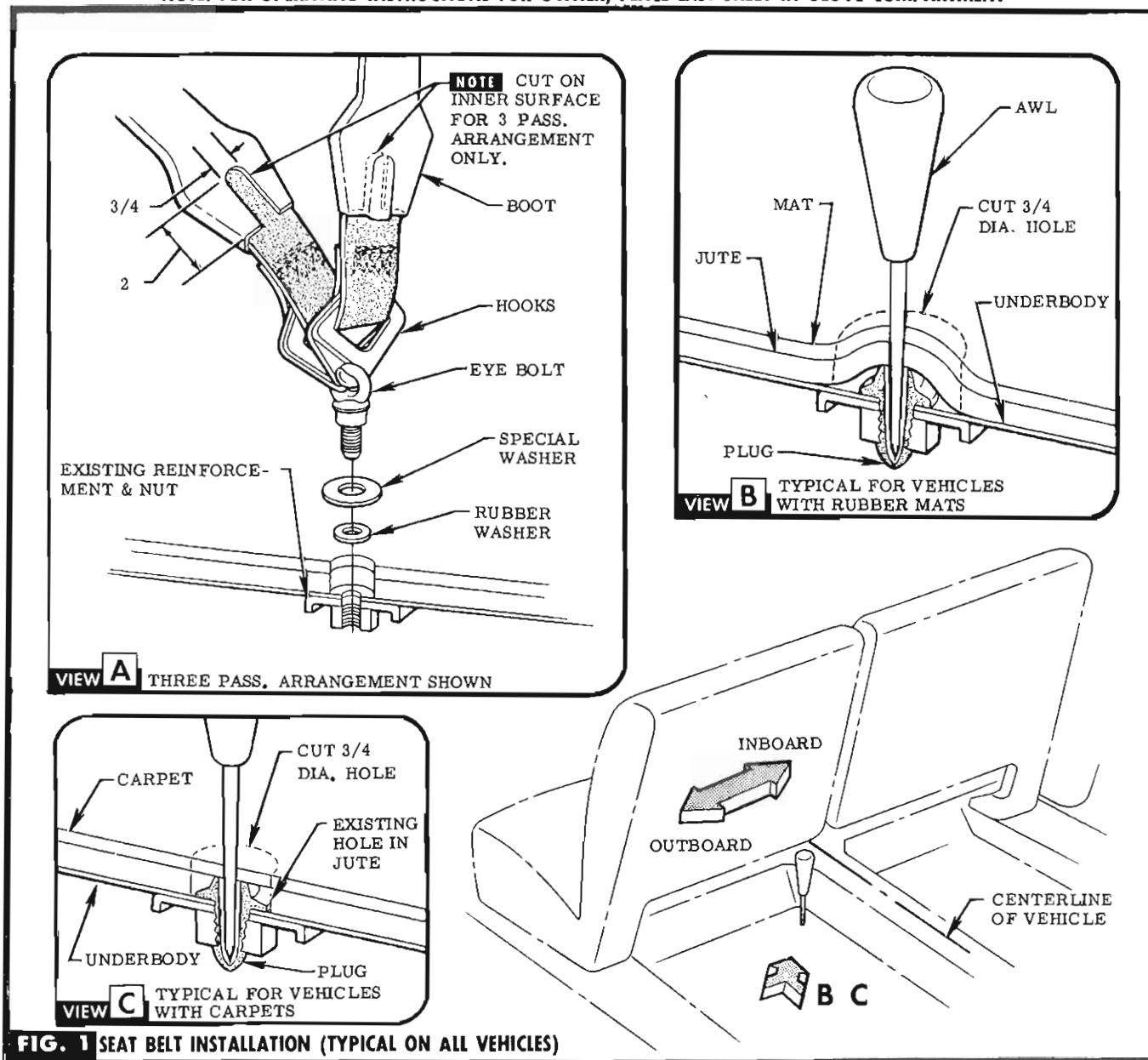


FIG. 1 SEAT BELT INSTALLATION (TYPICAL ON ALL VEHICLES)

STEP 1 USING DIMENSIONS GIVEN, LOCATE PLUG BY FEELING CARPET (SLIGHT INDENTATION) OR UNDER RUBBER MAT (SLIGHT HUMP). PROBE WITH AWL TO LOCATE HOLE IN PLUG. INSERT AWL DOWN INTO PLUG & LEAVE STANDING IN UPRIGHT POSITION, CUT CARPET OR MAT. SEE FIG. 1 (VIEW B & C) & FIG. 2 - CHEVROLET
 FIG. 3 - CHEVY
 FIG. 4 - CORVAIR
 FIG. 5 - CORVAIR 95 (GREENBRIER)

STEP 2 REMOVE PLUGS & INSTALL EYE-BOLTS. POSITION

INBOARD EYE-BOLTS PARALLEL WITH CENTERLINE OF VEHICLE & OUTBOARD EYE-BOLTS PERPENDICULAR WITH CENTERLINE OF VEHICLE. SEE FIG. 1 & VIEW A.

NOTE Install special washer on eye-bolt then force rubber washer over threaded portion & seat tight against shoulder of eye-bolt. Special washer used only on vehicles with carpets. See Fig. 1 (View A).

STEP 3 WHEN INSTALLING TWO BELTS ON ONE EYE-BOLT, BOOTS MUST BE CUT. SEE FIG. 1 (VIEW A).

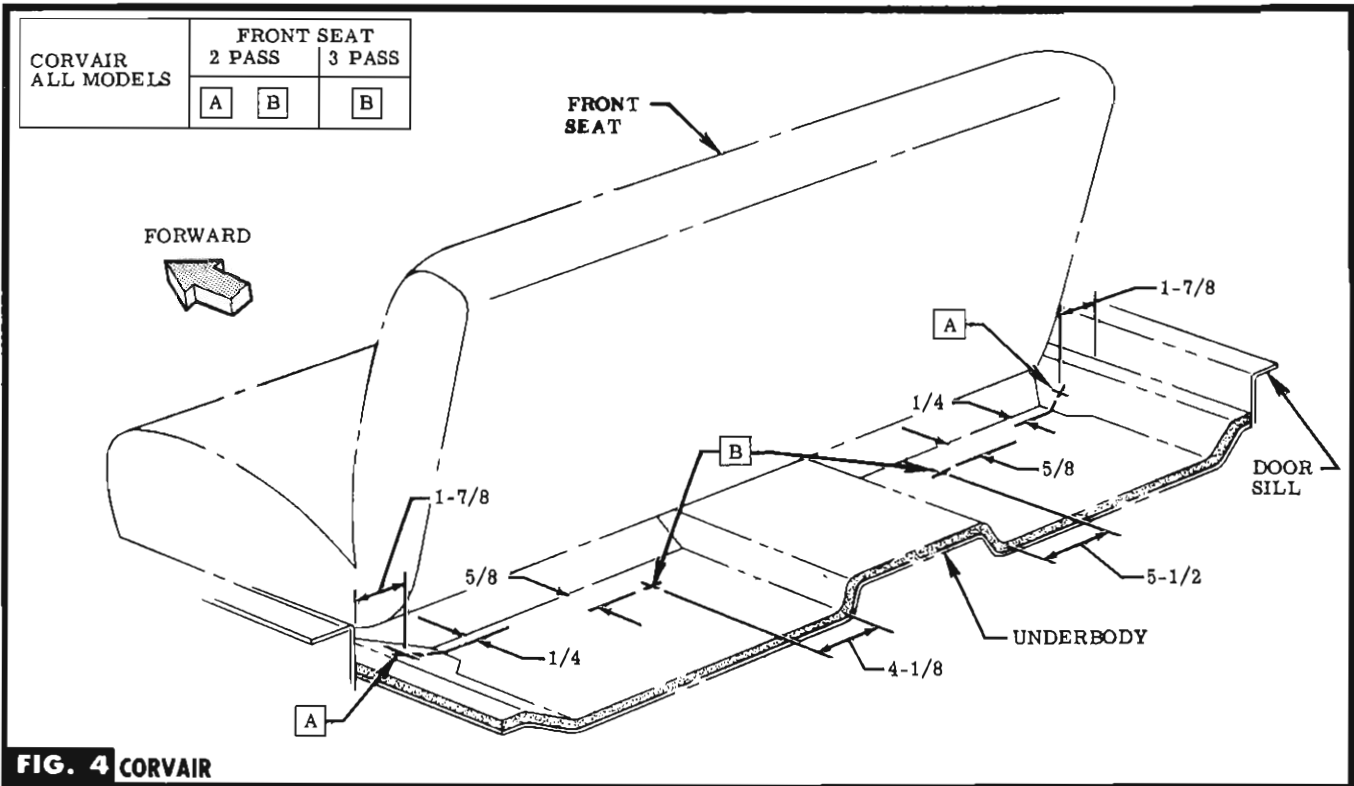


FIG. 4 CORVAIR

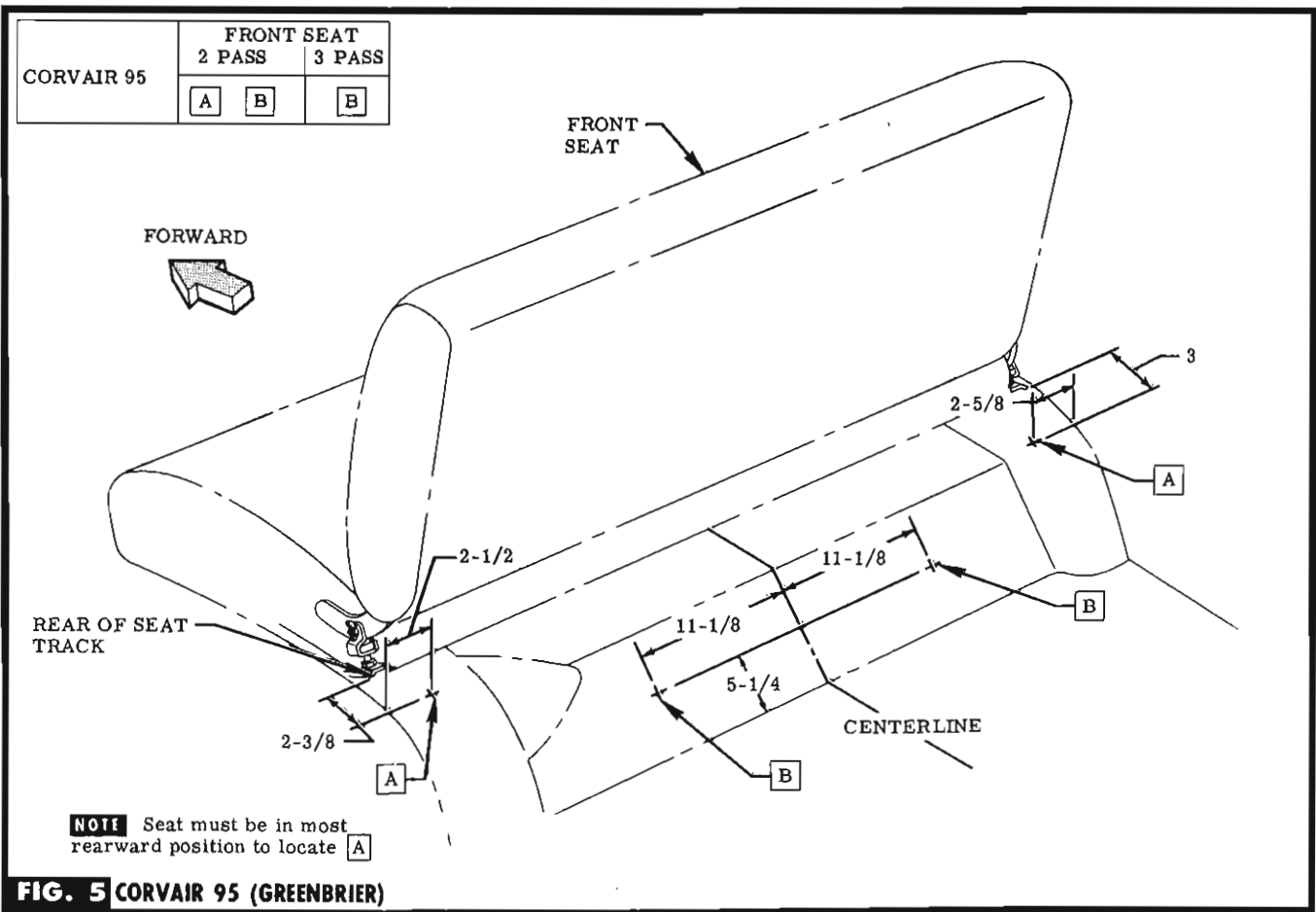
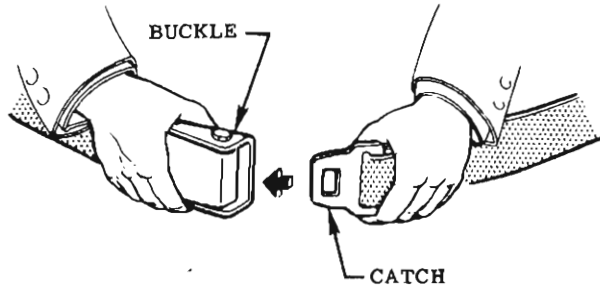
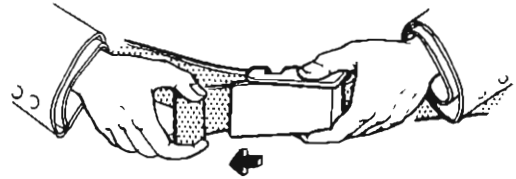


FIG. 5 CORVAIR 95 (GREENBRIER)

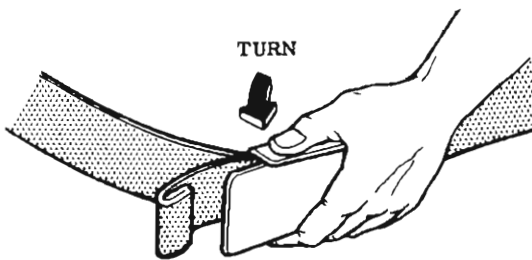
DEALER: PLACE THIS SHEET IN GLOVE COMPARTMENT



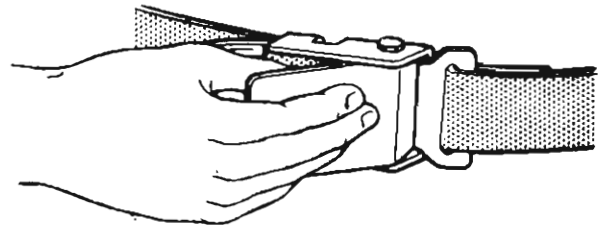
INSERT CATCH TO LATCH BUCKLE



PULL TO TIGHTEN BELT



TO LOOSEN BELT TURN BUCKLE OUTWARD



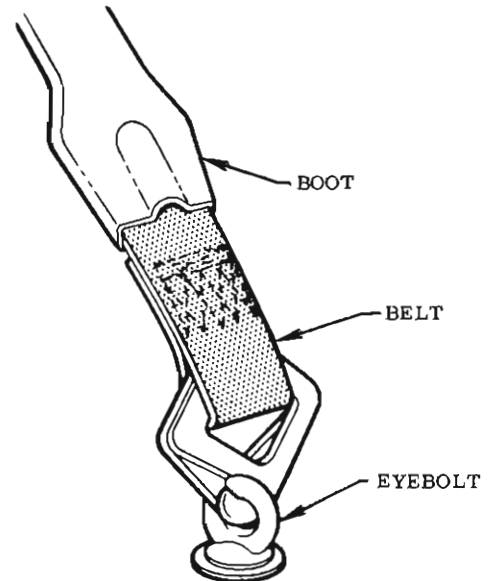
TO UNLATCH PULL LEVER OUTWARD

NOTE Adjust belt length to suit individual requirement. With belt correctly adjusted, person should not feel the weight of the Buckle asm. on the abdomen. At no time should the belt allow more than 1 inch forward movement of the body.

NOTE When not in use belts should be carefully layed on seat & kept off the floor.

CLEAN BELTS WITH CLEANER OR DETERGENT RECOMMENDED FOR NYLON.

CAUTION Do not bleach or redye belts as this may cause severe loss of strength.



**BELT ATTACHMENT TO EYEBOLT
(WITH BOOT IN RAISED POSITION)**

FIG. 8 OPERATION PROCEDURE & BELT ADJUSTMENT