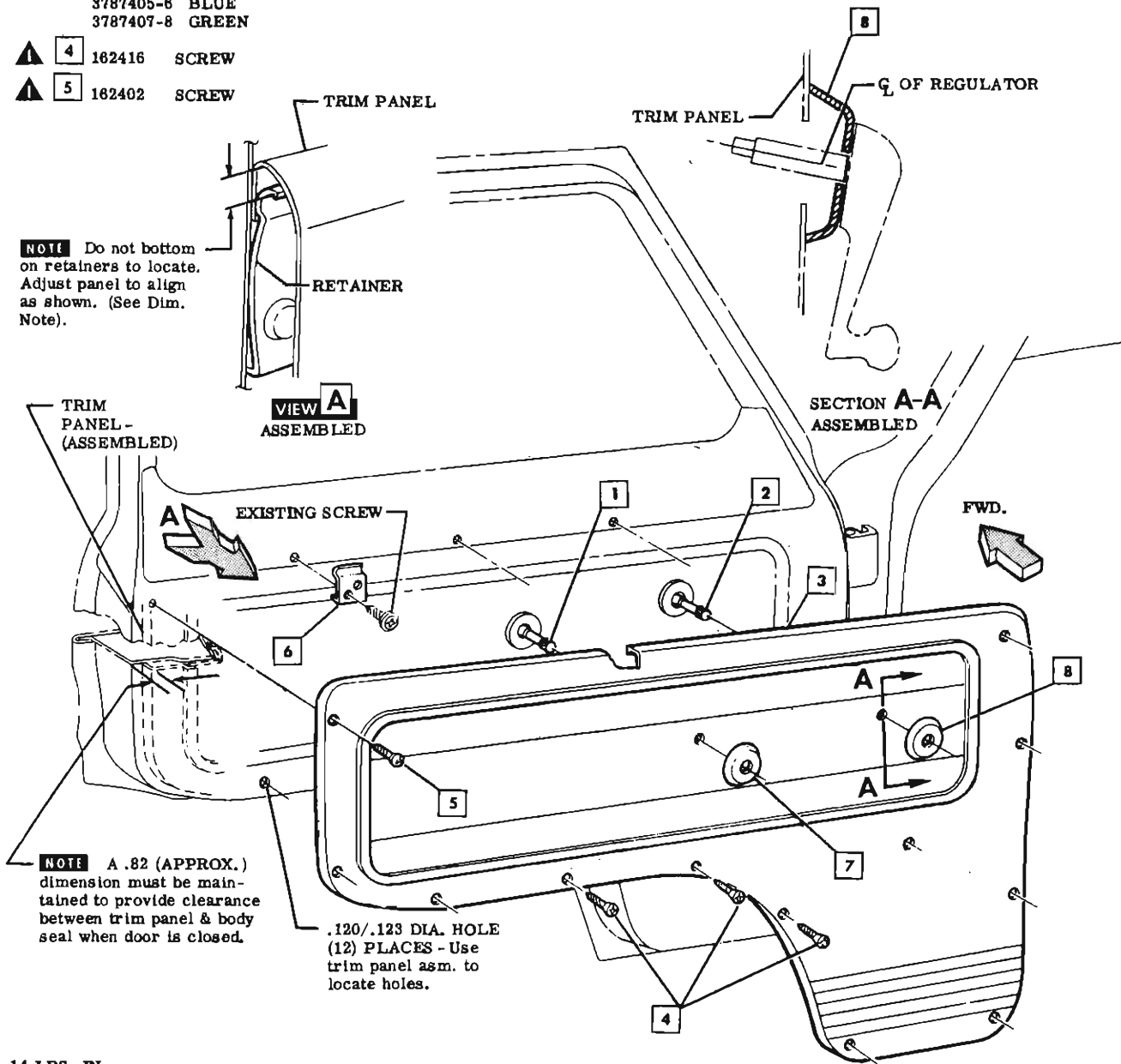


- 1 3787627-8 CONTROL ASM. - L. & R. H.
- 2 3787581-2 REGULATOR ASM. - L. & R. H.
- 3 3787401-2 PANEL TRIM ASM. - LOWER L. & R. H. - SILVER
  - 3787403-4 RED
  - 3787405-6 BLUE
  - 3787407-8 GREEN

- 6 3788817 RETAINER
- 7 3787316 ESCUTCHEON
- 8 3787315 ESCUTCHEON - Position with shallow section downward as shown in Section A-A.

- ▲ 4 162416 SCREW
- ▲ 5 162402 SCREW

**NOTE** Do not bottom on retainers to locate. Adjust panel to align as shown. (See Dim. Note).



**NOTE** A .82 (APPROX.) dimension must be maintained to provide clearance between trim panel & body seal when door is closed.

.120/.123 DIA. HOLE (12) PLACES - Use trim panel asm. to locate holes.

▲ 10-14 LBS. IN.

CHEVROLET MOTOR DIVISION				GENERAL MOTORS CORPORATION			
DATE	SYM.	REVISION RECORD	ECR	DR.	CK.	DATE	REVISION RECORD
8-15-60	1	REDRAWN & REVISED	30278	30572	TH	12-5-60	2 REDRAWN & REVISED
						1961V-376	
SECT.	SHEET	MODELS:	TITLE:		TH		
431	6.00	1206	FRONT SIDE DOOR-TRIM PANEL LOWER		TH	221	
						ECR 28906	7-15-60