

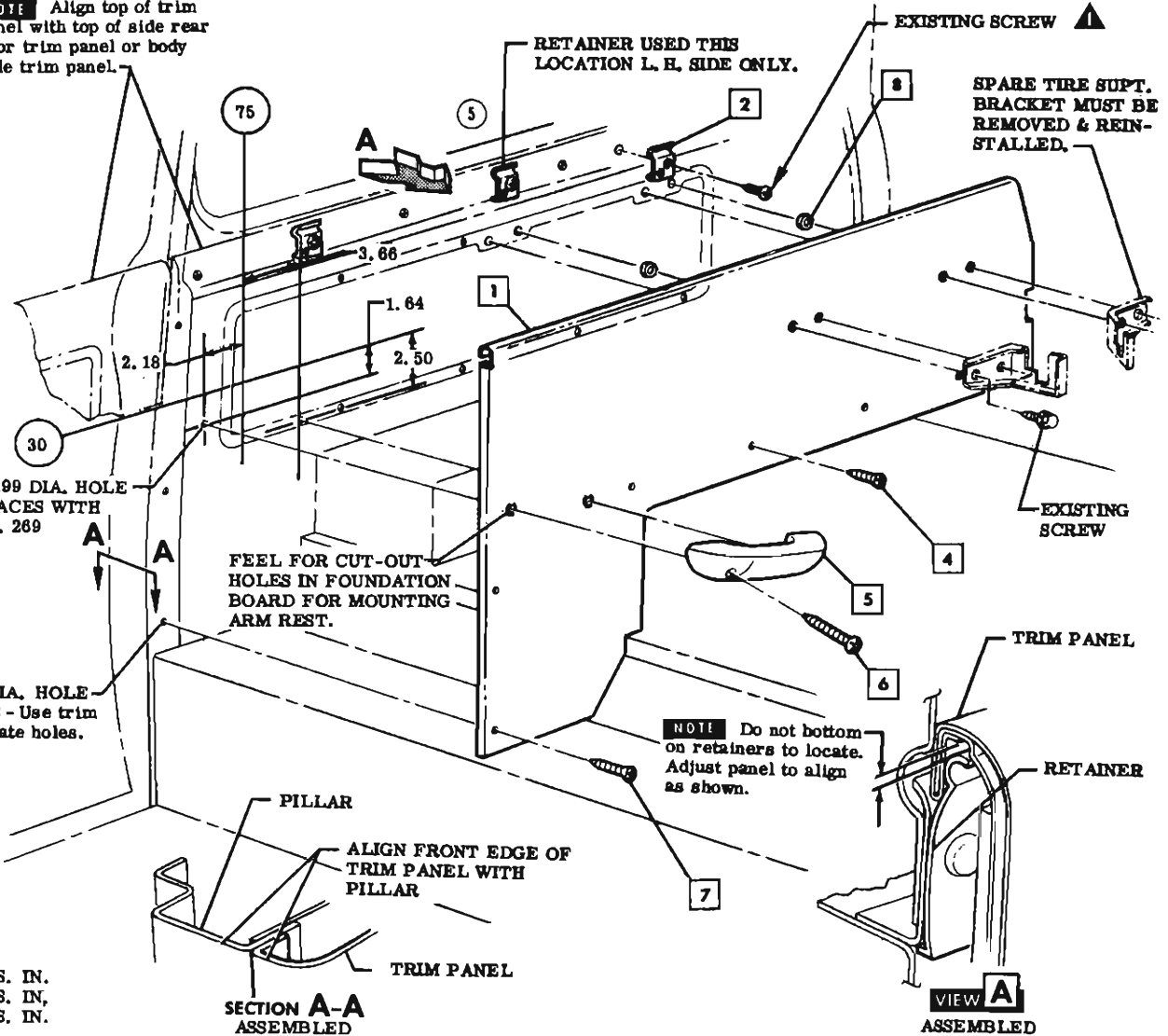
- 1 BODY SIDE REAR TRIM PANEL ASM. L. & R. H.
3787505-6 (RED)
3787507-8 (BLUE)
3787509-10 (GREEN)
3787503-4 (SILVER)

- 5 ARM REST ASM. - REAR (USED WITH R. P. O. 269)
3786649 (RED)
3786653 (BLUE)
3786654 (GREEN)
3786655 (SILVER)

- ▲ 2 3788817 RETAINER
- ③ 3 _____
- ▲ 4 4687286 SCREW

- ▲ 6 455699 SCREW
- ▲ 7 162402 SCREW
- ④ 8 3689109 WASHER

NOTE Align top of trim panel with top of side rear door trim panel or body side trim panel.



- ⑥
- ▲ 10-14 LBS. IN.
- ▲ 12-16 LBS. IN.
- ▲ 21-30 LBS. IN.

SECTION A-A
ASSEMBLED

VIEW A
ASSEMBLED

CHEVROLET MOTOR DIVISION				GENERAL MOTORS CORPORATION				
DATE	SYM.	REVISION RECORD	ECR	DR.	CK.			
2-3-61	3	161857 SCREW REMOVED	34444	KC		4	ITEM ADDED	
						5	DRAWING REVISED	
						6	TORQUE 1, 2, 3 WAS 1, 1, 1	
						1961V-378		
SECT.	SHEET	MODELS:					DP	RHP
431	8.00	1206	TITLE: REAR BODY TRIM PANEL & ARM RESTS				ECR 28906	7-15-60