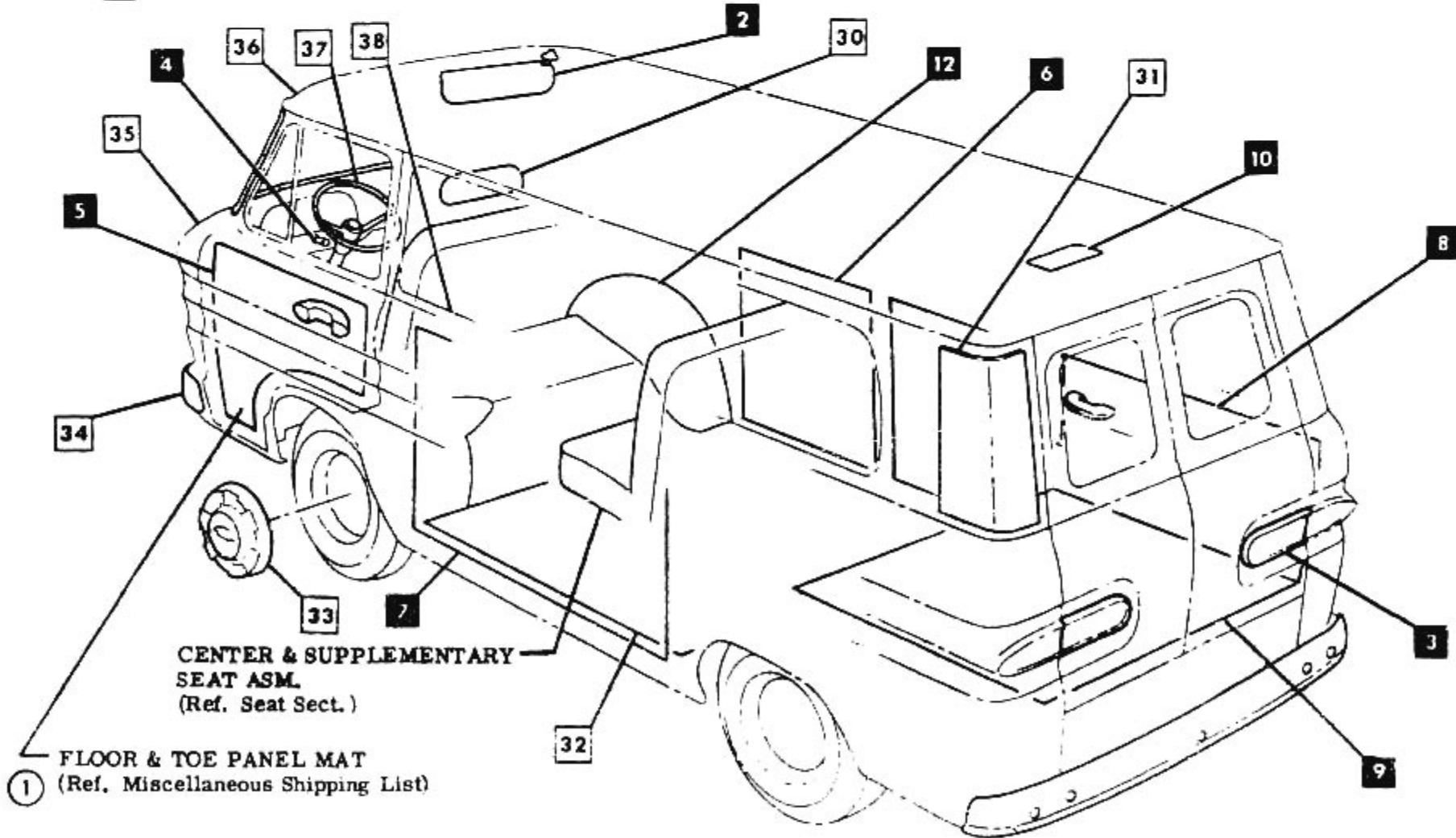


SHEET	TITLE
1.00	CONTENTS DELUXE BODY EQUIPMENT
2 2.00	SUNSHADE & FRONT DOOR ARM RESTS
3 3.00	WINDSHIELD REVEAL & REFLECTOR MOULDING
4 4.00	CIGARETTE LIGHTER
5 5.00	FRONT SIDE DOOR - TRIM PANEL LOWER
6 6.00	INTER. DOORS - TRIM PANEL LOWER
7 7.00	BODY SIDE TRIM PANEL L. H.
8 8.00	REAR BODY TRIM PANEL & ARM RESTS
9 9.00	ENGINE COMPARTMENT FLOOR MAT & SPARE TIRE COVER
10 10.00	DOME LAMP & ROOF BOW FILLER
11.00	
12 12.00	FRONT WHEELHOUSE MATS

① 30	3814469	DOOR ASM. - INSTRUMENT PANEL COMPARTMENT
① 31	3787540	BODY SIDE REAR INNER TRIM CHART
① 32	3786918	MAT - REAR FLOOR (06) CHART
① 33	3780115	HUB CAP
① 34	3777356 3777357 3774573	BUMPER - FRONT (06) BUMPER - REAR (06) BOLT
① 35	3774788	PANEL ASM. - BODY FRONT Same as regular production
① 36	3788024	PANEL ASM. - ROOF
① 37	765303	STEERING WHEEL ASM. INSTRUCTION & COLOR CHART
② ① 38	3788011	BODY SIDE ASM. CHART



CHEVROLET MOTOR DIVISION

GENERAL MOTORS CORPORATION

SYM.	REVISION RECORD	ECR	DR.	CK.
10-5-61	1 NOTE ADDED	39894	HM	OP
10-5-61	2 WAS 8788011 BODY SIDE ASM CHART		KC	1/8

1962V-343			
-----------	--	--	--

KC
Ref. Prelim. 1
E. C. R. 33575 4-10-81

MODELS: R-10
TITLE: CONTENTS DELUXE BODY EQUIPMENT

SECT.	SHEET
431	1.00