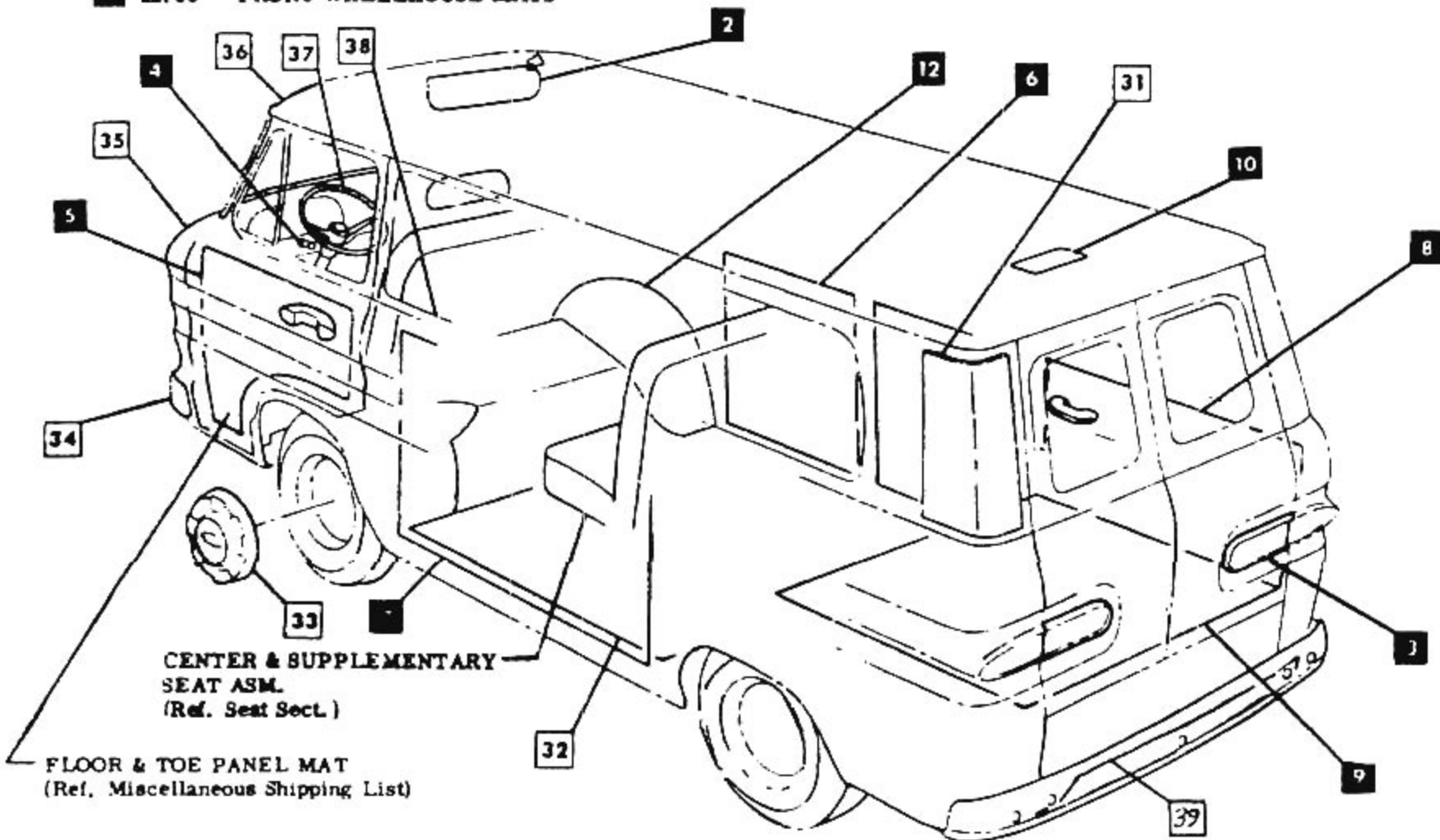


SHEET	TITLE
1.00	CONTENTS DELUXE BCDY EQUIPMENT
<b>2</b> 2.00	SUNSHADE & FRONT DOOR ARM RESTS
<b>3</b> 3.00	WINDSHIELD REVEAL & REFLECTOR MOULDING
<b>4</b> 4.00	CIGARETTE LIGHTER
<b>5</b> 5.00	FRONT SIDE DOOR - TRIM PANEL LOWER
<b>6</b> 6.00	INTER. DOORS - TRIM PANEL LOWER
<b>7</b> 7.00	BODY SIDE TRIM PANEL L. H.
<b>8</b> 8.00	REAR BODY TRIM PANEL & ARM RESTS
<b>9</b> 9.00	ENGINE COMPARTMENT FLOOR MAT & SPARE TIRE COVER
<b>10</b> 10.00	DOME LAMP & ROOF BOW FILLER
11.00	
<b>12</b> 12.00	FRONT WHEELHOUSE MATS

⑦ ⑤ ①	<b>30</b>	
①	<b>31</b>	3787540 BODY SIDE REAR INNER TRIM CHART
①	<b>32</b>	3788918 MAT - REAR FLOOR (06) CHART
①	<b>33</b>	3780115 HUB CAP
①	<b>34</b>	3777356 BUMPER - FRONT (06) 3777357 BUMPER - REAR (06) 3774573 BOLT
①	<b>35</b>	3774786 PANEL ASM. - BODY FRONT Same as regular production
①	<b>36</b>	3788024 PANEL ASM. - ROOF
①	<b>37</b>	765303 STEERING WHEEL ASM. INSTRUCTION & COLOR CHART
①	<b>38</b>	3788011 BODY SIDE ASM. CHART
⑥ ①	<b>39</b>	GRILLE ASM (06) (SEE SECTION 11-13)



CHEVROLET MOTOR DIVISION

GENERAL MOTORS CORPORATION

SYM	REVISION RECORD	ECR	DR	CK
4	WAS SECTION 431	4237		
5	WAS 3314469	45309		

5-29-62	4	ITEM ADDED	KC
6-13-62	7	ITEM (30; 3826788) REM. 1963V-360	KC

KC  
Ref. Prelim. 1  
E. C. R. 33575 4-10-61

MODELS: R-10  
TITLE: CONTENTS DELUXE BODY EQUIPMENT

SECT. 260  
SHEET 1.00

- 4 was section 431
- 5 was 3814469 (glovebox door assembly)
- 6 item added (engine grille)
- 7 item 30 3826788 remove (deluxe glovebox assembly)