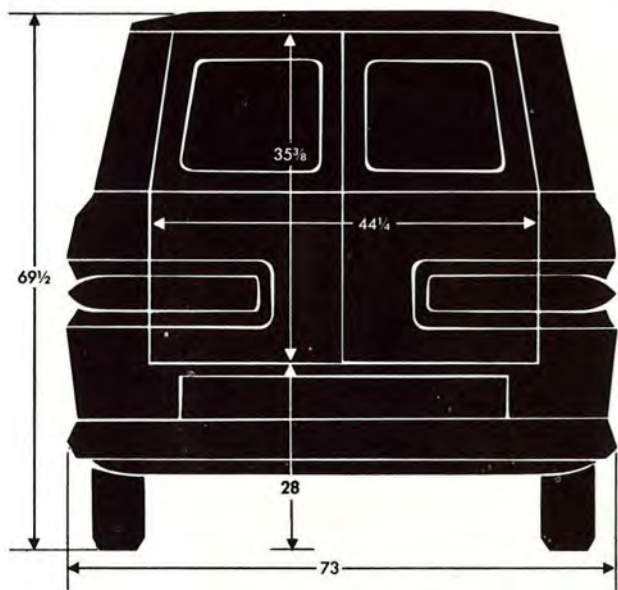


*in delivery ease and thrift!*

# 5 CORVAN



**A new kind of panel truck, freshly designed from the road on up for bigger earnings on any route! 191 cubic feet of load space. 1,300-lb payload capacity • wide opening side and rear doors • low 14" side loading height • high 4½-foot interior height • Turbo-Air 6 rear-engine economy • 95" wheelbase • 4-wheel independent suspension • unitized body construction • balanced weight distribution!**

**This way to more of the facts you need to sell this totally new kind of hauling efficiency!**

## PRIME PROSPECTS FOR CORVAN HAULING EFFICIENCY IN YOUR AREA!

- |  |   |
|--|---|
| <b>Airlines</b>                            | <b>Laundries</b>                        |
| <b>Art supplier delivery</b>               | <b>Mail delivery</b>                    |
| <b>Bakers</b>                              | <b>Music stores</b>                     |
| <b>Book stores</b>                         | <b>Outdoor advertising sign service</b> |
| <b>Business machine (repair and sales)</b> | <b>Paper hangers and dealers</b>        |
| <b>Cabinet makers, carpenters</b>          | <b>Party store delivery</b>             |
| <b>Cartage companies</b>                   | <b>Pet hospitals and dog kennels</b>    |
| <b>Confectioners</b>                       | <b>Photographers</b>                    |
| <b>Dairy bars (retail delivery)</b>        | <b>Piano moving</b>                     |
| <b>Decorating</b>                          | <b>Plumbers</b>                         |
| <b>Department stores</b>                   | <b>Potato chips (wholesale)</b>         |
| <b>Diaper services</b>                     | <b>Printers</b>                         |
| <b>Drapery shops</b>                       | <b>Public utility companies</b>         |
| <b>Drug stores</b>                         | <b>Radio &amp; TV repair</b>            |
| <b>Dry cleaners</b>                        | <b>Refrigeration service and sales</b>  |
| <b>Electrical contractors</b>              | <b>Rental stores</b>                    |
| <b>Exterminators</b>                       | <b>Resorts</b>                          |
| <b>Floor finishers</b>                     | <b>Roofers</b>                          |
| <b>Florists</b>                            | <b>Rug cleaners</b>                     |
| <b>Funeral parlors</b>                     | <b>Sewing machine sales and service</b> |
| <b>Furnace dealers</b>                     | <b>Sign businesses</b>                  |
| <b>Furniture and appliance delivery</b>    | <b>Storm and sash companies</b>         |
| <b>Furniture upholsterers</b>              | <b>Taxidermists</b>                     |
| <b>Gift shops</b>                          | <b>Tent and awning companies</b>        |
| <b>Grocery delivery</b>                    | <b>Tobacconists</b>                     |
| <b>Hardware stores</b>                     |   |
| <b>Janitor service</b>                     |   |



LITHO IN U.S.A.

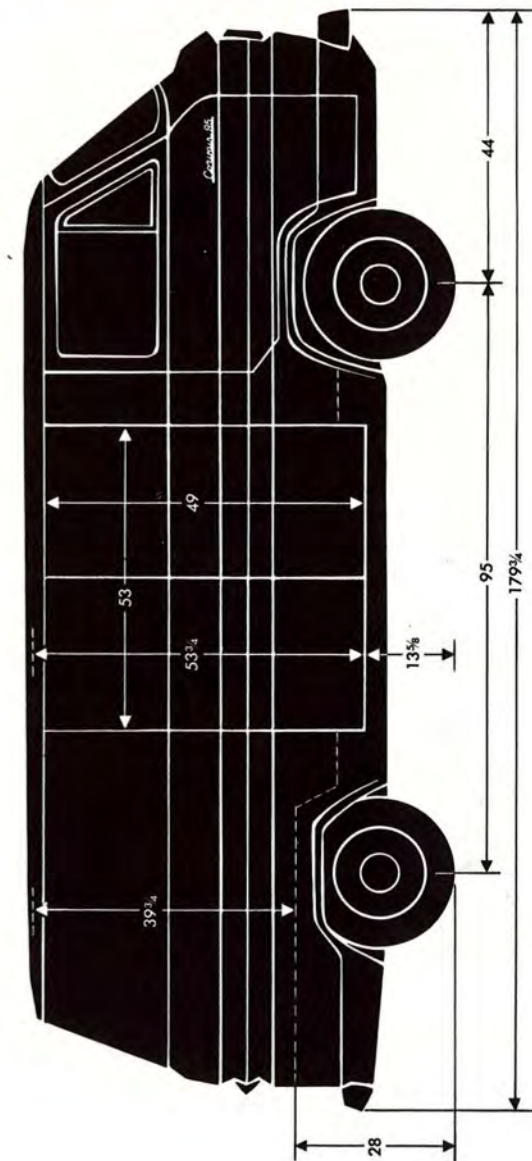
# CORVAN FACTS

**Proving you have the most and best to sell in '61!!!!**

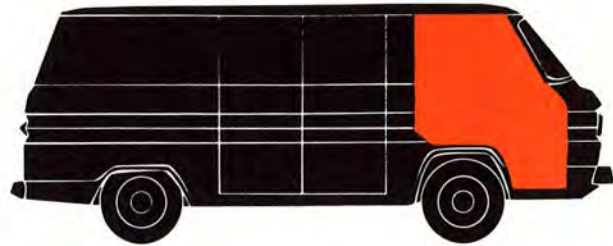
**Here, for quick reference, are selling facts about Corvaire 95 Corvan trucks—use 'em to open the door to sales in a big truck market!**

*sell a totally new dimension*

# CORVAIR 9



## Driver's up front—



**choice of seats**—Single driver's seat is standard. Single seat offers extra load space up front, where packages can be stored within easy reach. Full-width (3-man) front seat is available at extra cost.

**bird's-eye visibility**—No-hood design offers unobstructed panoramic view through large windshield (1,171 square inches). Dual electric single-speed windshield wipers keep vision safe and clear in any weather.

**dual headlights**—Standard on Corvan models. They assure optimum safety for city or highway driving.

**comfortable, attractive driver's compartment**—Offers the driver stretch-out comfort with full-sized chair-high seats and leg room aplenty.

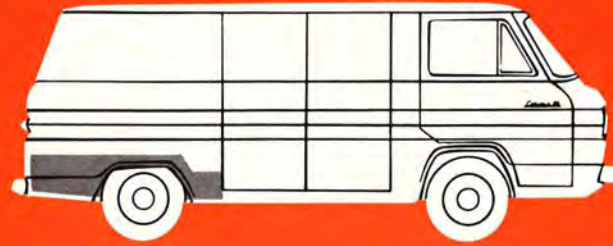
**no-draft ventilation**—Fresh air inlet grille at front of cab distributes outside air to dual outlets at side of cab interior for all-weather comfort.

**choice of heaters**—For quick warm-up, high output, you can't beat the Corvair 95 gasoline heater with 2-speed blower. For optimum thrift, it's a direct-air heater that uses engine heat to warm outside air for driver's compartment and load area.

**ride and comfort**—Best yet! Corvan's nearly 50-50 weight distribution teamed with 4-wheel independent suspension increases ride smoothness, gives the driver new command of the road. Rear-engine design puts engine heat and noise behind for a new high in comfort!

**custom equipment option**—Designed to complement Corvair 95's beauty, comfort and convenience, it includes: "breathing" seat fabric, foam seat padding, two-tone interior styling, right sunshade, left armrest, cigar lighter, bright windshield molding, decorative taillight inserts.

## engine's in the rear—



**space-saving, rear-mounted, air-cooled engine**—Horizontally opposed 6-cylinder arrangement minimizes engine height and length so engine fits behind the rear axle and beneath the load floor. Adds space where it pays off—in the load area. Engine is efficiently cooled in all climates with a thermostatically controlled centrifugal blower.

**compact transaxle**—Highly efficient and economical combination transmission and rear axle attaches directly to the engine, forms a compact, self-contained power train. Power is delivered to the rear wheels by the shortest route!

**choice of three transmissions**—3-speed synchro-mesh is standard. 4-speed synchro-mesh and Powerglide transmissions are optional at extra cost. Synchro-mesh transmissions offer floor-mounted shift levers; Powerglide transmissions offer the finger-tip ease of dash-mounted selector levers.

**easy engine access**—Quick and convenient access for routine maintenance is provided through a hinged door at the rear, with full engine access through removable panels in the load compartment floor.

**new engine economy**—Low-upkeep air-cooled engine design eliminates need for antifreeze or radiator service. 8:1 compression ratio permits use of lower priced regular gasoline. Moderate 145-cubic-inch displacement offers high fuel economy, yet delivers a spunky 80 hp and 128 lb-ft of torque for sharp performance.

**lightweight engine ups payload**—Turbo-Air 6 engine weighs 294 lb, just over half the weight of a conventional 6. This saving in engine weight allows more payload weight. Air-cooled design and light-yet-strong aluminum engine parts add up to efficient performance!

## all the rest is load space!



**191 cubic feet of cargo space**—Corvans carry bigger cargoes—nearly two-thirds of the length is load space! Load compartment is 53.7" high, 120.9" long and 58.6" wide . . . every inch is accessible from the driver's compartment!

**low vehicle weight—high 1,800-lb payload**—Corvans weigh less, yet they'll carry more cargo than conventional half-tonners! Nearly 40% of the gross vehicle weight is payload.

**balanced 50-50 weight distribution**—It gives big cargo-carrying capacity, reduced strain on chassis and tires. Husky 2,500-lb-capacity suspensions, front and rear, share truck and load weight equally. Weight distribution remains nearly 50-50, loaded or empty, for uniform handling and riding ease.

**easier cargo accessibility**—Corvan design makes load handling easier than ever before—thanks to spacious rear doors, and even bigger side doors, plus easy accessibility right from the driver's compartment.

**low loading heights**—They add to cargo handling ease and speed. Side load floor is just 14" off the ground; rear load floor height is barely 23" above the ground.

**wide double side doors**—They're big: 49" high and 53" wide. Double side doors are standard on the right side, optional at extra cost on the left side. Can be locked from either outside or inside. 2-position door checks hold doors open at either 100- or 180-degree angles.

**wide double rear doors**—They're 35 $\frac{3}{8}$ " high and 44 $\frac{1}{4}$ " wide. Two-position door check enables them to be held open solidly at either 100 or 180 degrees. Push-button release handle has a key lock.

## 1961 MODEL R1205 CORVAN with STANDARD EQUIPMENT

<b>Air Cleaner:</b> Two; oil-wetted	<b>Engine:</b> Turbo-Air Six; 145-cu-in displacement
<b>Axle, Rear:</b> Ratio 3.89	Gross horsepower . . . . . 80
<b>Battery:</b> 12-Volt; capacity 35 amp-hr	Gross torque, lb-ft. . . . . 128
<b>Brakes, Service:</b> Hydraulic	<b>Fuel Tank:</b> Capacity 18 $\frac{1}{2}$ gallons
Sizes: front and rear 11" x 2"	<b>Generator:</b> 30-amp
<b>Bumper:</b> Front and rear; painted	<b>Mirror, Interior:</b> Adjustable
<b>Carburetor:</b> Two; single-barrel	<b>Seat:</b> Driver only
<b>Clutch:</b> Diameter 9 $\frac{1}{4}$ "; area 72 sq in	<b>Shock Absorbers:</b> Front & rear
<b>Cooling:</b> Air cooled by 11" centrifugal blower	<b>Springs, Front &amp; Rear:</b> Coil; capacity 1150 lb each
<b>Controls &amp; Instruments:</b> Hand throttle and choke; head & dome light switch; head-light beam control; speedometer; fuel gauge; engine temperature, generator charging, oil pressure and high beam indicator lights	<b>Suspension, Front &amp; Rear:</b> Independent, capacity 2500 lb each
<b>Direction Signals:</b> Front and rear	<b>Tires:</b> Five tubeless 7.00-14/4PR
	<b>Transmission:</b> 3-speed synchro-mesh
	<b>Windshield Wipers:</b> Electric; single-speed

List Price	Factory D & H	Mfr's Spt'd Dealer D & H	Mfr's Spt'd Retail Price*	Destination Charge	Total
\$2098.00	\$166.00	\$25.00	\$2289.00		

\*Manufacturer's Suggested Retail Price does not include state and local taxes, license fees, options or accessories.

## OPTIONS AND ACCESSORIES WHEN INSTALLED BY CHEVROLET

Description	Option Number	List Price	Factory D & H	Mfr's Suggested Retail Delivered Price $\diamond$
<b>Battery:</b> Heavy-duty; 54-plate; 40 amp-hr. . . . .	345	\$ 5.00	\$ .40	\$ 5.40
<b>Custom Chrome:</b> Includes front and rear chromed bumpers and hub caps				
For use without wheel covers . . . . .	393	30.00	2.30	32.30
For use with wheel covers (Incl bumpers only). . . . .	393	20.00	1.55	21.55
<b>Custom Equipment:</b> Includes bright-metal windshield molding; rear door red inserts; nylon & vinyl seat upholstery; extra-thick foam seat padding; 2-tone door and instrument panel; right sunshade; right front door arm rest; cigarette lighter; dispatch box door trim plate.				
For use with standard seat . . . . .	431	21.00	1.60	22.60
For use with optional full-width seat . . . . .	431	23.00	1.75	24.75
<b>Doors, Body:</b> Left side . . . . .	645	75.00	5.70	80.70
<b>Generator:</b> 35-amp, low cut-in . . . . .	650	35.00	2.70	37.70
<b>Heater &amp; Defroster:</b> Gasoline operated . . . . .	128	85.00	6.50	91.50
Direct air . . . . .	138	69.00	5.25	74.25
<b>Paint, Exterior:</b> Solid colors . . . . .		N.C.	N.C.	N.C.
Two-tone combinations . . . . .		25.00	1.90	26.90
<b>Radio:</b> Manual control (Price does not include installation of antenna) . . . . .	123	50.00	3.80	53.80
<b>Seat:</b> Full-width front seat . . . . .	482	25.00	1.90	26.90
<b>Shock Absorbers:</b> HD; front; piston dia 1 $\frac{1}{4}$ ". . . . .	213	7.00	.55	7.55
<b>Tires:</b> Five, tubeless				
7.00-14/4PR regular highway whitewall . . . . .	647	30.00	1.80	31.80
7.00-14/6PR regular highway blackwall . . . . .	648	41.00	2.65	43.65
7.00-14/6PR regular highway whitewall . . . . .	674	82.00	5.15	87.15
<b>Transmission:</b> 4-speed synchro-mesh . . . . .	652	60.00	4.60	64.60
Powerglide . . . . .	667	145.00	11.60	156.60
<b>Ventilation, Special Crankcase:</b> For State of California only . . . . .	243	5.00	.40	5.40
<b>Wheel Covers:</b> Four . . . . .	132	10.00	.80	10.80
<b>Windshield Washers:</b> With std wipers only . . . . .	130	10.50	.80	11.30
<b>Windshield Wipers:</b> Electric; 2 speed; includes windshield washers . . . . .	355	15.00	1.15	16.15

$\diamond$  State and local taxes not included.